

- Ⓒ *GB* *Instruction manual*
- Ⓒ *DE* *Bedienungsanleitung*
- Ⓒ *FR* *Mode d'emploi*
- Ⓒ *ES* *Manual de instrucciones*
- Ⓒ *IT* *Manuale di installazione,
uso e manutenzione*



VRX SERIES ***VRX LID SERIES***

Dear Customer,

Congratulations on your purchase of this product. Like all VRX models, this product has also been developed on the basis the latest technology and produced using reliable and modern electrical components.

Please take a few minutes before starting operation of the appliance and read the following operating instructions.

Many thanks.

GB

TABLE OF CONTENTS

Safety tips.....	2~4
Installation.....	4~6
Operation.....	6~8
Cleaning, care & maintenance.....	9
Circuit diagram.....	9
Technical data.....	10
Troubleshooting.....	11
Warranty.....	11

SAFETY TIPS



**Important: For your safety read the manual carefully before installing or using this product.
Save this manual for future reference.**

Position on a flat, stable surface.

A service agent/qualified technician should carry out installation and any repairs if required. Do not remove any components or service panels on this product.

SAFETY TIPS

Consult Local and National Standards to comply with the following:

1. Health and Safety at Work Legislation.
2. Fire Precautions.
3. IEE Wiring Regulations.
4. Building Regulations.
5. The appliance is intended for commercial use.
6. DO NOT use the appliance outside.
7. DO NOT attempt to service the item yourself.
8. DO NOT use damaged appliances. If you are in any doubt, consult service agent.
9. DO NOT use electrical appliances inside the appliance (e.g. heaters, ice-cream makers etc.), unless they are of the type recommended by the manufacturer.
10. Keep ventilation openings, in the appliance enclosure or in the built-in structure, clear of obstruction.
11. DO NOT use mechanical device or other means to accelerate the defrosting process, other than those recommended by the manufacturer.
12. DO NOT damage the refrigerant circuit.
13. DO NOT stand or support yourself on the appliance or glass panel.
14. DO NOT allow oil or fat to come into contact with the plastic components. Clean immediately if contact occurs.
15. DO NOT place combustible, explosive or volatile articles, corrosive acid or alkali, or liquids into the unit.
16. DO NOT use this appliance to store medical supplies.
17. DO NOT use jet/pressure washers to clean the appliance.
18. DO NOT allow children to play with the packaging, and destroy plastic bags safely.
19. Always carry, store and handle the appliance in a vertical position and move by holding the base of the appliance.
20. Always switch off and disconnect the power supply to the unit before cleaning.
21. If the supply cord is damaged, it must be replaced by the manufacturer, its service agent or similarly qualified persons in order to avoid a hazard.

SAFETY TIPS

- GB
22. This appliance is not intended for use by persons (including children) with reduced physical, sensory or mental capabilities, or lack of experience and knowledge, unless they have been given supervision or instruction concerning use of the appliance by a person responsible for their safety.
 23. Children should be supervised to ensure that they do not play with the appliance.
 24. For indoor use only. Not suitable for installation in an area where a water jet could be used. Must not be cleaned by a water jet.
 25. To guarantee safe operation, ensure that the appliance is set up and connected as described in the instruction manual.
 26. Any repairs and work on the appliance should only be carried out by the customer service department.
 27. Do not store explosive substances such as aerosol cans with a flammable propellant in this appliance.

INSTALLATION

- Remove the appliance from the packaging. Make sure that all protective plastic film and coatings are thoroughly removed from all surfaces. To prevent injury or damage to the unit, the appliance should be unpacked and set up by two people.
- Maintain a distance of 20cm (7 inches) between the unit and walls or other objects for ventilation. Increase this distance if the obstacle is a heat source.
- Level the appliance by adjusting the screw feet. It should be placed on a level solid floor or base to reduce the vibration and noise.
- The temperature in the place where the showcase is located must be between 10 and 32°C (Climatic Class 4). Avoid locating it in direct sunlight or near heat source such as an oven or a radiator.
- Please make sure the appliance is properly ventilated.
- Power supply and voltage at the operating point must comply with the details on the rating label. The plug must be accessible after installation.
- Correctly connect and disconnect the plug. When inserting the plug ensure it is fully inserted. When pulling out the plug grip the plug body. Never pull the supply cord directly.
- If the showcase is to be shut down for long period, switch it off and disconnect the plug from socket outlet. Clean the appliance and leave the lid open to prevent odor.
- **Important! For your personal safety, this appliance must be properly grounded.** This appliance is equipped with a cord having a grounding (earthing) wire with a grounding (earthed) plug. The plug must be inserted into an outlet that is properly grounded and installed. Consult a qualified electrician or service center if you do not completely understand the grounding instructions. If doubt exists as to whether the appliance is properly grounded, have a qualified electrician check the circuit to make sure the outlet is properly grounded.
- If the cable does not reach the nearest socket, either rearrange your store layout or ask a qualified electrician to fix a new socket.
- If power is cut off, wait for at least 3 minutes before restart the unit to avoid damaging the compressor.

Fit Glass Panels



ATTENTION: RISK OF BREAKAGE OF THE GLASS PANEL.

Note: Ensure the hole in the collar for the grub screw faces inwards.

Note: Ensure the screw hole furthest from the edge of the panel goes to the back of the appliance.

Note: Ensure the soft end of the grub screw is the end making contact with the glass.

Note: Ensure the short end of the bolt assembly is on the outside of the panels.

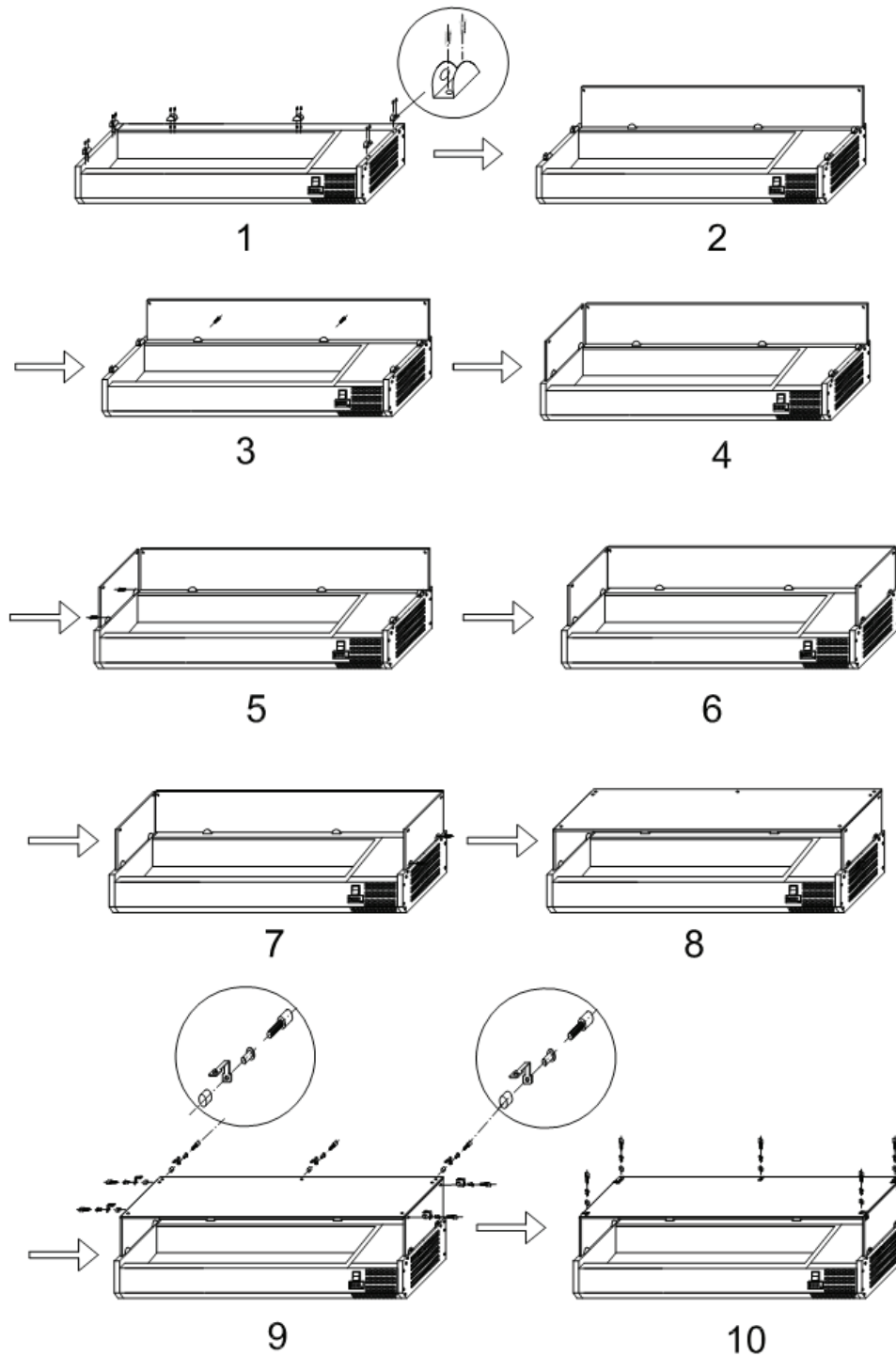
Note: The glass panel must not be used as shelf.

INSTALLATION

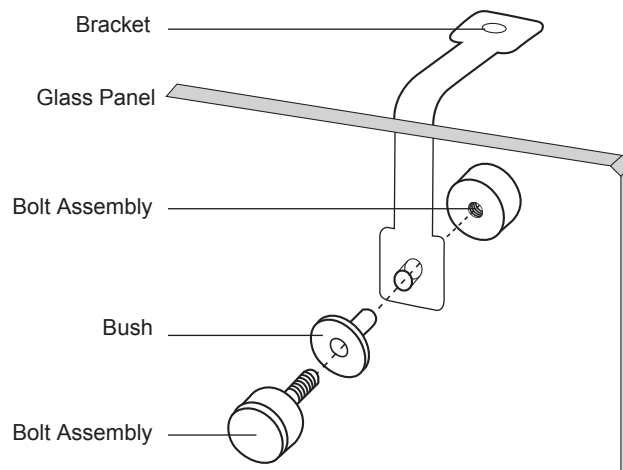
- Unpack the wooden/carton box carefully; it's recommended to do this work with two people.
- Screw the collars to the rim of the appliance.
- Slot the two side panels into the collars, with the holes in the glass at the top.
- Screw a grub screw into each collar to secure the panels.
- Slot the rear panel into the collars, with the holes in the glass at the top.
- Screw a grub screw into each collar to secure the panel.
- Slot the plastic bushes into each of the holes.
- Screw the brackets to the inside of each panel using the bolt assemblies.
- Place the top panel onto the brackets, ensuring all holes line up.
- Insert the bush and attach the top panel to the brackets with the bolt assemblies.

GB

Glass Panel Assembly Guide



INSTALLATION



GB

OPERATION

Storing food

To get the best results from your appliance, follow these instructions:

- Only store foodstuffs in the appliance when it has reached the correct operating temperature.
- Ensure GN container bays are full at all times, even if the GN containers are unused or empty. Empty bays will greatly reduce efficiency of the appliance.
- Always close the door, lid or drawer when not in use.
- Do not place uncovered hot food or liquid inside the appliance.
- Wrap or cover food where possible.
- Do not obstruct the fans inside the appliance.
- Avoid opening the doors/drawers for prolonged periods of time.
- The maximum load for a shelf/drawer is 20 kg.
- The food must be put into container before placed into cabinet or on the shelf. Food must not be placed into food cabinet directly.
- When wet food/vegetable is put in the Saladette, it's normal that ice (snow) appears on the surface.

Turn on

- Close the door/lid/drawer of the appliance.
- Ensure the power switch is set to [O] and turn on at the socket.
- Switch on the Power [I]. The current temperature within the appliance is displayed.
- The ❄️ on the control panel will flash for 3-min to indicate a delay between the motor compressor being stopped and then restarted.

Open/close the lid or drawer

WARNING: The sliding lid does not have a locking mechanism. Always make sure that the lid is in the 'half-open' position before opening.

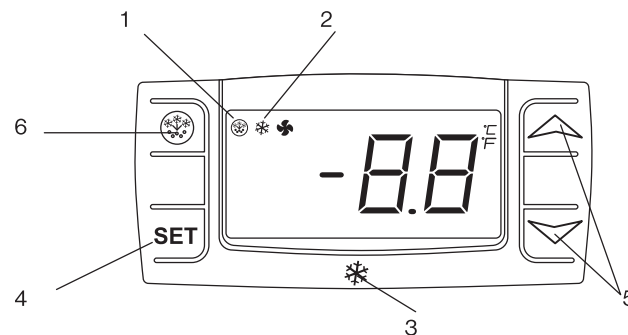
WARNING: Do not pull the drawer out of its full open position to avoid any hurt.

The lid of the GSA is multi-positional:

- With the lid closed, slide the panel back into the half open position. This allows partial access to the GN container trays.
- Lift the lid up and back so the hinge settles into the support slot.
- Lift the lid up and completely back so the GN container trays are completely exposed.

Temperature setting and control

The front panel of the thermostat



1. Defrosting light
2. Compressor operation light
3. Digital thermostat
4. Programming key (Service agent only)
5. Temperature modification keys
6. Manual defrost

How to see the set point

- Push and immediately release the **SET** key, the set point will be showed;
- Push and immediately release the **SET** key or wait about 15s to return to normal visuallsation.

How to change the set point

- Push the **SET** key for more than 2 seconds to change the set point value;
- The value of the set point will be displayed and the "°C" starts blinking;
- To change the set value push the „^" (up) or „v" (down) arrows within 10s.
- To memorise the new set point value push the SET key again or wait 10s.

Manual defrost

The appliance will automatically run a defrost cycle every 12 hours.

Note: The cycle starts from the time the appliance is initially powered up.

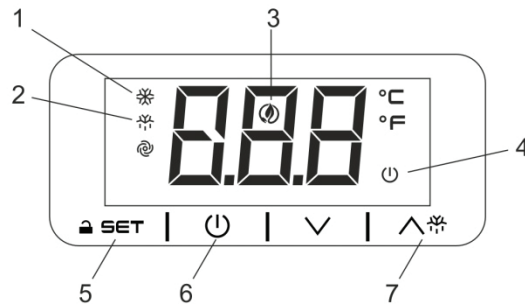
To manually defrost the appliance:

- Press and hold the **DEFROST** (snowflake icon) button for 5 seconds.
- The defrost cycle will start immediately and the Defrost LED illuminates. The defrost will last 20 minutes.

Note: Starting a manual defrost also resets the automatic defrost timer. The next automatic defrost will start 12 hours after the manual defrost has finished.

OPERATION

The front panel of the thermostat



1. Compressor operation light
2. Defrosting light
3. Energy saving light
4. Stand-by light
5. Programming key (service agent only)
6. Machine On/Stand-by (keep pushed)
7. Manual defrost (keep pushed)

How to unlock the keyboard («Loc» message)

- Push any button for more than 2s, «UnL» message will appear and the keyboard will be unlocked.

Note: for safety reasons the keyboard locks automatically after 30s of keys inactivity.
To execute any operation, please unlock the keyboard first.

How to see and modify the set point

- Push and immediately release the **SET** key, the set point will be showed and starts blinking;
- To change the set value push **^** or **v** arrows within 20s.
- To memorize the new set point value push the **SET** key again or wait 20s.

Manual defrost

The appliance will automatically run a defrost cycle every 12 hours.

Note: the cycle starts from the time the appliance is initially powered up.

To manually defrost the appliance:

- Press and hold the DEFROST **^** button for 3s;
- The defrost cycle will start immediately and the LED illuminates. The defrost will last 20 minutes.

Note: starting a manual defrost also resets the automatic defrost timer. The next automatic defrost will start 12 hours after the manual defrost has finished.

How to turn the machine in ON / STAND-BY status

- Press and hold the **U** key for 4s, the machine will turn from ON to STAND-BY status and vice-versa. During the button hold the **U** LED will blink to show status changing.

CLEANING, CARE & MAINTENANCE

Routine Maintenance

Switch off and disconnect from the power supply before cleaning.

- Clean the enclosure and interior of the appliance as often as possible.
- Wipe the unit with moist cloth. Never allow the switch, control panel, cable or plug to get wet.
- Do not use abrasive cleaning agents. These can leave harmful residues. Use only mild soapy water.
- Ensure that no cleaning water penetrates into the electrical components.
- Must not be cleaned by a water jet.
- Always wipe dry after cleaning with soft cloth.
- Take care when cleaning the rear of the appliance.
- An agent or qualified technician must carry out repairs if required.
- If the appliance is to be left inactive for long periods, unplug the appliance after having turned the switch to OFF position, empty the refrigerating compartment and clean thoroughly.

GB

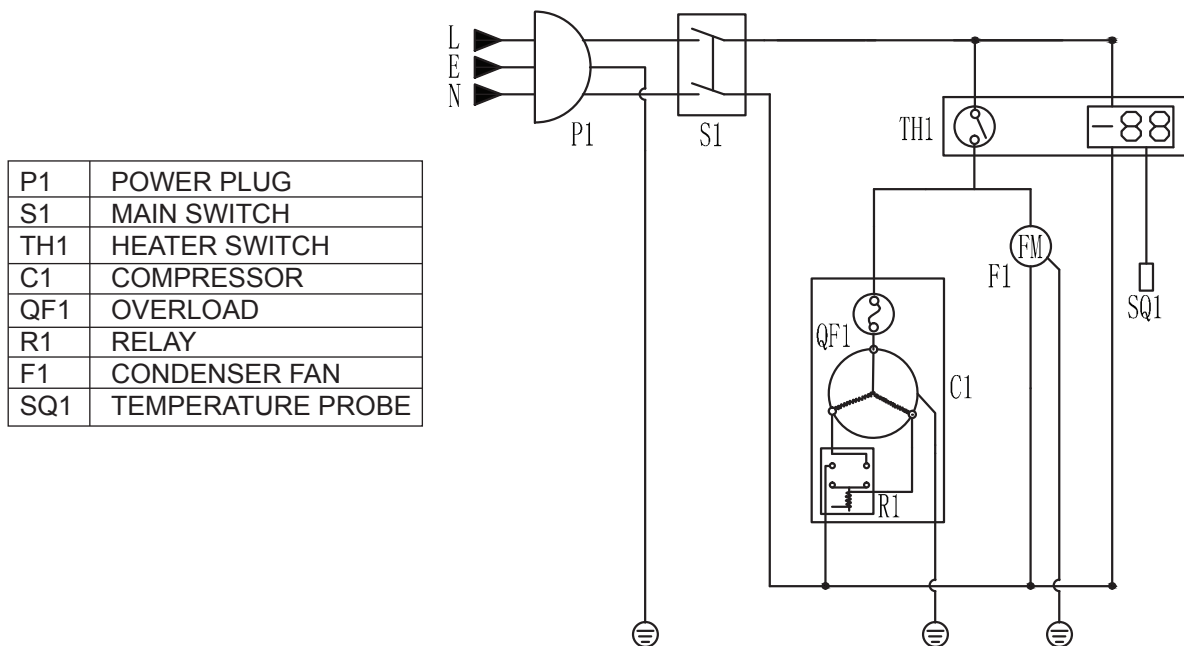
Special Maintenance

The instructions given in the following paragraph are for **SKILLED PERSON**.

Periodic Operations

- Periodically clean the condenser using suitable tools (vacuum cleaner or soft brushes)
- Check that the electrical connections are not loose.
- Check that the thermostat and the sensor are in proper working order.
- Recommend that an agent or qualified technician clean the condenser.

CIRCUIT DIAGRAM



TECHNICAL DATA

GB

MODEL	VOLTAGE V/Hz	CLIMATE CLASS	TEMP. RANGE °C	REFRIGERANT	REFRIGERANT CHARGE g	POWER W	CURRENT A	CAPACITY	DIMENSION mm (WxDxH)	WEIGHT Kg
VRX1000/330	220-240/50	4	+2~+8	R134a/R600a	65/30	160	1.2	3xGN1/4	955x335x225	34
VRX1000/380	220-240/50	4	+2~+8	R134a/R600a	65/30	160	1.2	2xGN1/3+1xGN1/2	955x395x225	37
VRX1200/330	220-240/50	4	+2~+8	R134a/R600a	75/35	160	1.2	5xGN1/4	1200x335x225	39
VRX1200/380	220-240/50	4	+2~+8	R134a/R600a	75/35	160	1.2	3xGN1/3+1xGN1/2	1200x395x225	43
VRX1300/330	220-240/50	4	+2~+8	R134a/R600a	75/35	160	1.2	5xGN1/4	1300x335x225	41
VRX1300/380	220-240/50	4	+2~+8	R134a/R600a	75/35	160	1.2	5xGN1/3	1300x395x225	45
VRX1400/330	220-240/50	4	+2~+8	R134a/R600a	80/40	160	1.3	6xGN1/4	1400x335x225	42
VRX1400/380	220-240/50	4	+2~+8	R134a/R600a	80/40	160	1.3	6xGN1/3	1400x395x225	46.5
VRX1500/330	220-240/50	4	+2~+8	R134a/R600a	80/40	160	1.3	7xGN1/4	1500x335x225	47
VRX1500/380	220-240/50	4	+2~+8	R134a/R600a	80/40	160	1.3	5xGN1/3+1xGN1/2	1500x395x225	48
VRX1600/330	220-240/50	4	+2~+8	R134a/R600a	80/40	160	1.3	7xGN1/4	1600x335x225	47
VRX1600/380	220-240/50	4	+2~+8	R134a/R600a	80/40	160	1.3	5xGN1/3+1xGN1/2	1600x395x225	51
VRX1800/330	220-240/50	4	+2~+8	R134a/R600a	90/40	160	1.3	8xGN1/4	1800x335x225	48
VRX1800/380	220-240/50	4	+2~+8	R134a/R600a	90/40	160	1.3	8xGN1/3	1800x395x225	51
VRX1900/330	220-240/50	4	+2~+8	R134a/R600a	90/45	160	1.3	9xGN1/4	1900x335x225	51.5
VRX1900/380	220-240/50	4	+2~+8	R134a/R600a	90/45	160	1.3	7xGN1/3+1xGN1/2	1900x395x225	55.5
VRX2000/330	220-240/50	4	+2~+8	R134a/R600a	95/45	160	1.3	10xGN1/4	2000x335x225	53.5
VRX2000/380	220-240/50	4	+2~+8	R134a/R600a	95/45	160	1.3	9xGN1/3	2000x395x225	57.5
VRX2200/330	220-240/50	4	+2~+8	R134a/R600a	110/50	160	1.3	11xGN1/4	2200x335x225	55
VRX2200/380	220-240/50	4	+2~+8	R134a/R600a	110/50	160	1.3	10xGN1/3	2200x395x225	59
VRX2500/330	220-240/50	4	+2~+8	R134a/R600a	110/50	160	1.3	12xGN1/4	2500x395x225	59
VRX2500/380	220-240/50	4	+2~+8	R134a/R600a	110/50	160	1.3	11xGN1/3	2500x395x225	62
VRX1000/330 LID	220-240/50	4	+2~+8	R134a/R600a	65/30	160	1.2	3xGN1/4	955x335x225	26
VRX1000/380 LID	220-240/50	4	+2~+8	R134a/R600a	65/30	160	1.2	2xGN1/3+1xGN1/2	955x395x225	29
VRX1200/330 LID	220-240/50	4	+2~+8	R134a/R600a	75/35	160	1.2	5xGN1/4	1200x335x225	30
VRX1200/380 LID	220-240/50	4	+2~+8	R134a/R600a	75/35	160	1.2	3xGN1/3+1xGN1/2	1200x395x225	34
VRX1300/330 LID	220-240/50	4	+2~+8	R134a/R600a	75/35	160	1.2	5xGN1/4	1300x335x225	31
VRX1300/380 LID	220-240/50	4	+2~+8	R134a/R600a	75/35	160	1.2	5xGN1/3	1300x395x225	34
VRX1400/330 LID	220-240/50	4	+2~+8	R134a/R600a	80/40	160	1.3	6xGN1/4	1400x335x225	31.5
VRX1400/380 LID	220-240/50	4	+2~+8	R134a/R600a	80/40	160	1.3	6xGN1/3	1400x395x225	36.5
VRX1500/330 LID	220-240/50	4	+2~+8	R134a/R600a	80/40	160	1.3	7xGN1/4	1500x335x225	31.5
VRX1500/380 LID	220-240/50	4	+2~+8	R134a/R600a	80/40	160	1.3	5xGN1/3+1xGN1/2	1500x395x225	37
VRX1600/330 LID	220-240/50	4	+2~+8	R134a/R600a	80/40	160	1.3	7xGN1/4	1600x335x225	36
VRX1600/380 LID	220-240/50	4	+2~+8	R134a/R600a	80/40	160	1.3	5xGN1/3+1xGN1/2	1600x395x225	39
VRX1800/330 LID	220-240/50	4	+2~+8	R134a/R600a	90/40	160	1.3	8xGN1/4	1800x335x225	34
VRX1800/380 LID	220-240/50	4	+2~+8	R134a/R600a	90/40	160	1.3	8xGN1/3	1800x395x225	41
VRX1900/330 LID	220-240/50	4	+2~+8	R134a/R600a	90/45	160	1.3	9xGN1/4	1900x335x225	38
VRX1900/380 LID	220-240/50	4	+2~+8	R134a/R600a	90/45	160	1.3	7xGN1/3+1xGN1/2	1900x395x225	42.5
VRX2000/330 LID	220-240/50	4	+2~+8	R134a/R600a	95/45	160	1.3	10xGN1/4	2000x335x225	40
VRX2000/380 LID	220-240/50	4	+2~+8	R134a/R600a	95/45	160	1.3	9xGN1/3	2000x395x225	43
VRX2200/330 LID	220-240/50	4	+2~+8	R134a/R600a	110/50	160	1.3	11xGN1/4	2200x335x225	40.5
VRX2200/380 LID	220-240/50	4	+2~+8	R134a/R600a	110/50	160	1.3	10xGN1/3	2200x395x225	41
VRX2500/330 LID	220-240/50	4	+2~+8	R134a/R600a	110/50	160	1.3	12xGN1/4	2500x335x225	45
VRX2500/380 LID	220-240/50	4	+2~+8	R134a/R600a	110/50	160	1.3	11xGN1/3	2500x395x225	47



CAUTION: RISK OF FIRE AND EXPLOSION WITH FLAMMABLE REFRIGERANT R600a.



Environmental Protection

Discarded electric appliances are recyclable and should not be discarded in the domestic waste! Please actively support us in conserving resources and protecting the environment by returning this appliance to the collection centres (if available).



TROUBLESHOOTING

If your appliance develops a fault, please check the following table.

Fault	Probable Cause	Action
The appliance is not working	The unit is not switched on	Check the unit is plugged in correctly and switched on
	Plug and lead are damaged	Call your agent or qualified technician
	Fuse in the plug has blown	Replace the fuse (GB)
	Power supply	Check power supply
	Internal wiring fault	Call your agent or qualified technician
The appliance turns on, but the temperature is too high/ low	Too much ice on the evaporator	Defrost the appliance
	Condenser blocked with dust	Call your agent or qualified technician
	Appliance is located near a heat source or air flow to the condenser is being interrupted	Move the refrigerator to a more suitable location
	Ambient temperature is too high	Increase ventilation or move appliance to a cooler position
	Unsuitable foodstuffs are being stored in the appliance	Remove any excessive hot foodstuffs or blockages to the fan
	Appliance is overloaded	Reduce the amount of food stored in the appliance
The appliance is unusually loud	Loose nut/ screw	Check and tighten all nuts and screws
	The appliance has not been installed in a level or stable position	Check installation position and change if necessary

GB

WARRANTY

A statutory warranty applies for this product.

Damages caused by wrong treatment or operation, by false placement or storage, improper connection or installation, as well as force or other external influences are not covered by this warranty. We recommend careful reading of the operating instructions as it contains important information.

Note:

- In case this product does not function correctly, please firstly check if there are other reasons, e.g. for electrical appliances interruption of the power supply, or generally incorrect handling are the cause.
- Please note that, where possible, the following documents or rather information should be provided together with your faulty product:
 - Purchase receipt
 - Model description/Type/Brand
 - Describe the fault and problem as detailed as possible

In the case of a claim for guarantee or defects, please contact the seller.

Sehr geehrte Kundin,
Sehr geehrter Kunde,

Herzlichen Glückwunsch zum Kauf dieses Produktes. Wie alle Erzeugnisse von wurde auch dieses Produkt aufgrund neuester technischer Erkenntnisse entwickelt und unter Verwendung zuverlässigster und moderner elektrischer/elektronischer Bauteile hergestellt.

Bitte nehmen Sie sich einige Minuten Zeit, bevor Sie das Gerät in Betrieb nehmen, und lesen Sie die nachfolgende Gebrauchsanweisung durch.



Besten Dank!

INHALTSVERZEICHNIS

Sicherheitshinweise.....	12~14
Montage.....	14~16
Betrieb.....	16~18
Reinigung / pflege & wartung.....	19
Schaltplan.....	19
Technische daten.....	20
Fehlerbehandlung.....	21
Gewährleistung.....	21

SICHERHEITSHINWEISE



WICHTIG: Lesen Sie diese Anleitung zu Ihrer persönlichen Sicherheit sorgfältig durch, bevor Sie das Gerät in Betrieb nehmen. Bewahren Sie die Anleitung gut auf, um zukünftig darauf zurückgreifen zu können.

Der Aufstellungsort des Gerätes muss eben und stabil sein.

Die Montage und mögliche Reparaturarbeiten müssen von einem Kundendienst oder einem qualifizierten Fachmann durchgeführt werden. Entfernen Sie niemals eigenhändig Bedienelemente oder andere Geräteteile.

SICHERHEITSHINWEISE

In den folgenden Punkten muss das Gerät die landesüblichen Vorschriften erfüllen:

1. Gesundheits- und Sicherheitsstandards am Arbeitsplatz.
2. Brandschutzbestimmungen.
3. IEE – Vorschriften für elektrische Leitungen.
4. Bauordnung.
5. Dieses Gerät ist für den kommerziellen Gebrauch konzipiert.
6. Verwenden Sie das Gerät **NICHT** im Freien.
7. Führen Sie **NIEMALS** eigenhändig Wartungsarbeiten an diesem Gerät durch.
8. Verwenden Sie das Gerät **NICHT**, wenn es Beschädigungen aufweist. Wenden Sie sich im Zweifel an Ihren Kundendienst.
9. Verwenden Sie unter keinen Umständen weitere elektrische Geräte im Inneren dieses Gerätes (z.B. Heizgeräte, Eishersteller (es sei denn diese sind vom Hersteller ausdrücklich erlaubt)).
10. Achten Sie darauf, dass Ventilatorenöffnungen, in der Gerätefassung oder eingebaut, nicht blockiert werden.
11. Versuchen Sie unter keinen Umständen mechanisch oder mit einem anderen Hilfsmittel den Abtauvorgang zu beschleunigen (es sei denn dies wurde vom Hersteller ausdrücklich genehmigt).
12. Beschädigen Sie **NIEMALS** den Kältekreislauf des Gerätes.
13. Stellen Sie sich **NICHT** auf das Gerät oder eine Glasplatte und halten Sie sich **NICHT** daran fest.
14. Achten Sie darauf, dass Plastikkomponenten **NICHT** mit Ölen oder Fetten in Kontakt kommen. Reinigen Sie diese umgehend, sollte dies der Fall sein.
15. Legen Sie **NIEMALS** brennbare, explosive oder flüchtig werdende Gegenstände, Ätzmittel, Alkali oder andere Flüssigkeiten in das Gerät.
16. Lagern Sie in diesem Gerät unter keinen Umständen medizinische Substanzen.
17. Reinigen Sie das Gerät **NIEMALS** mit einem Hochdruckreiniger.
18. Lassen Sie Kinder nicht mit Verpackungsmaterial spielen. Entsorgen Sie Plastiktüten vorschriftsgemäß.

SICHERHEITSHINWEISE

19. Tragen, lagern und betreiben Sie das Gerät immer in aufrechter Position. Fassen Sie das Gerät zum Tragen immer am Sockel.
20. Bevor Sie das Gerät reinigen, müssen Sie das Gerät grundsätzlich ausschalten und den Netzstecker ziehen.
21. Bei einer Beschädigung des Netzsteckers muss dieser umgehend vom Hersteller, einem ausgewiesenen Kundendienst oder einem qualifizierten Fachmann ausgewechselt werden.
22. Dieses Gerät darf nicht von Personen mit eingeschränkten physischen, sensorischen oder mentalen Fähigkeiten, Personen mit fehlender Erfahrung und Wissen sowie nicht von Minderjährigen betrieben werden, es sei denn diese stehen unter Aufsicht oder erhalten Anweisungen von einer für deren Sicherheit verantwortlichen Person.
23. Kinder müssen beaufsichtigt werden und dürfen nicht mit diesem Gerät spielen.
24. Das Gerät ist nur für den Gebrauch im Haus konzipiert. Es darf nicht in der Nähe von einem Wasserstrahl aufgestellt werden und unter keinen Umständen mit einem Hochdruckreiniger gereinigt werden.
25. Um einen sicheren Betrieb des Gerätes zu gewährleisten muss dieses wie in dieser Anleitung beschrieben montiert und angeschlossen werden.
26. Reparaturen und Wartungsarbeiten dürfen ausschließlich von einem Kundendienst oder einem qualifizierten Fachmann ausgeführt werden.
27. In diesem Gerät keine explosionsfähigen Stoffe, wie zum Beispiel Aerosolbehälter mit brennbarem Treibgas, lagern.

MONTAGE

- Packen Sie das Gerät aus. Entfernen Sie Kunststoffschutzfolien und Schutzschichten vollständig von allen Oberflächen. Um Verletzungen zu vermeiden und Beschädigungen des Gerätes vorzubeugen, sollte dieses von zwei Personen ausgepackt und montiert werden.
- Achten Sie darauf, dass Sie das Gerät mit einem Sicherheitsabstand von 20cm (7 Inch) von einer Wand oder von anderen Gegenständen entfernt aufstellen, um ausreichende Luftzufuhr zu gewährleisten. Vergrößern Sie den Sicherheitsabstand falls der angrenzende Gegenstand eine Wärmequelle besitzt.
- Richten Sie das Gerät durch Justieren der Schraubfüsse aus. Zur Vermeidung von Vibration und Geräusentwicklung sollte das Gerät auf ebenem, festem Untergrund oder auf einem speziellen Sockel aufgestellt werden.
- Die Umgebungstemperatur am Aufstellort sollte zwischen 10 und 32°C liegen (Klimaklasse: 4). Das Gerät darf nicht direkter Sonneneinstrahlung ausgesetzt sein. In direkter Nähe sollten sich keine Wärmequellen wie z.B. ein Ofen oder ein Heizgerät befinden.
- Achten Sie darauf, dass die Belüftung des Gerätes ordnungsgemäß funktioniert.
- Stromzufuhr und Spannungsversorgung müssen mit den Angaben auf dem Typenschild des Gerätes übereinstimmen. Die Steckdose muss nach der Installation frei zugänglich sein.
- Stecken Sie den Netzstecker ordnungsgemäß ein und aus. Der Netzstecker muss fest in die Steckdose gesteckt werden. Beim Ausstecken halten Sie mit einer Hand die Steckdose und ziehen den Stecker mit der anderen Hand am Netzteil heraus. Ziehen Sie den Stecker niemals am Kabel heraus.
- Wenn das Gerät über einen längeren Zeitraum nicht benutzt wird, schalten Sie es aus und ziehen Sie den Netzstecker. Reinigen Sie das Gerät und öffnen Sie Türen und Deckel zur Vermeidung von Geruchsbildung.

MONTAGE

- **Wichtig! Achten Sie zu Ihrer Sicherheit darauf, dass das Gerät ordnungsgemäß geerdet ist!** Das Kabel dieses Gerätes besitzt eine Erdungsleitung sowie einen Schuko-Stecker. Stecken Sie den Netzstecker in eine ordnungsgemäß geerdete und installierte Steckdose. Ziehen Sie einen qualifizierten Elektriker oder Kundendienst zu Rate, falls bei den Erdungsvorschriften Unklarheiten bestehen. Sollten Zweifel zur ordnungsgemäßen Erdung des Gerätes bestehen, lassen Sie den Stromkreislauf von einem qualifizierten Elektriker prüfen.
- Sollte das Netzkabel nicht bis zur nächstgelegenen Steckdose reichen, verändern Sie entweder den Aufstellort oder lassen Sie von einem Elektriker eine Steckdose in der Nähe des Gerätes installieren.
- Warten Sie bei einem Stromausfall mindestens 3 Minuten bevor Sie das Gerät wieder einschalten, um eine Beschädigung des Kompressors zu vermeiden.

Montage der Glasplatten

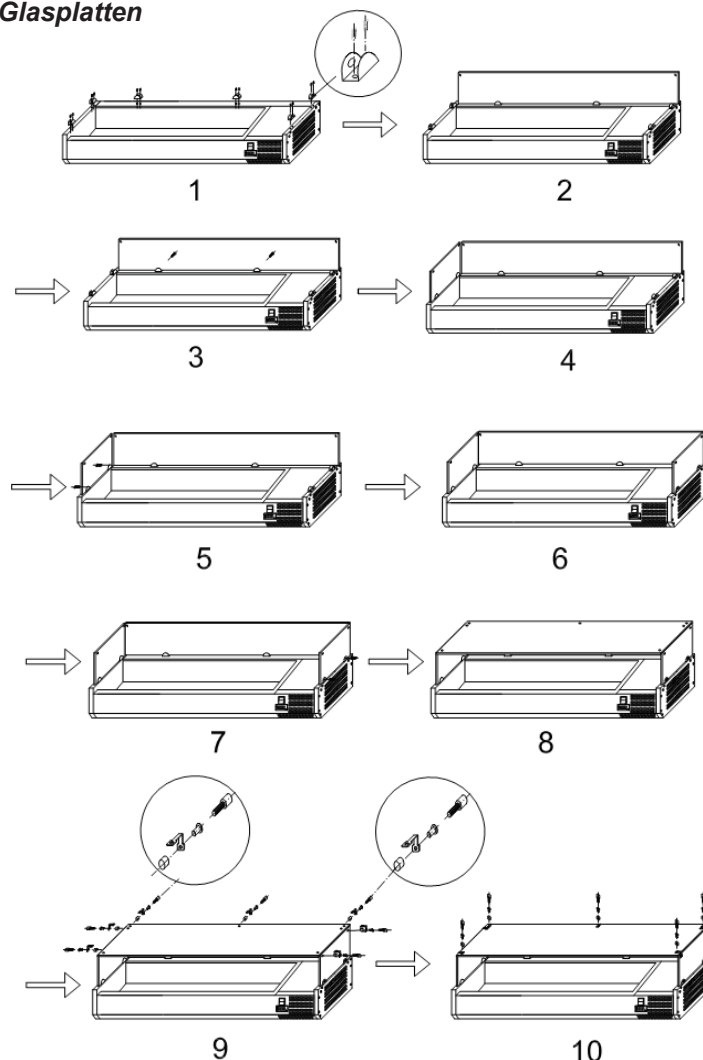


ACHTUNG! GLASPLATTEN SIND ZERBRECHLICH.

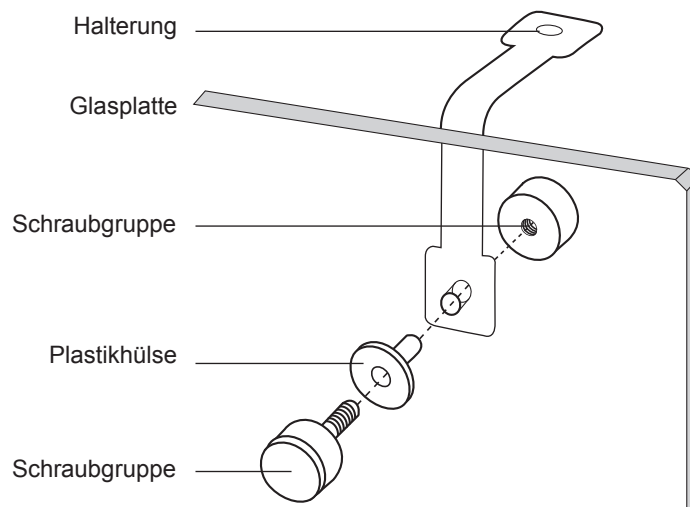
Anmerkung: Achten Sie darauf, dass die Aufnahmebohrungen für die Gewindestifte an der Manschette nach innen gerichtet sind.
Anmerkung: Die Bohrung, welche am weitesten von der Kante der Glasscheibe entfernt ist muss zur Rückseite des Gerätes ausgerichtet sein.
Anmerkung: Achten Sie darauf, dass nur das weiche Ende der Gewindestifte Kontakt mit den Glasplatten hat.
Anmerkung: Das stumpfe Ende der Schrauben befindet sich an der Aussenseite der Glasplatte.
Anmerkung: Die Glasplatten dürfen nicht als Ablagen verwendet werden.

- Packen Sie die Holzbox und den Karton vorsichtig aus. Nehmen Sie eine weitere Person zu Hilfe.
- Schrauben Sie die Manschetten an die Ränder des Gerätes.
- Schieben Sie die beiden Seitenglaswände in die Manschetten. Die Aufnahmebohrungen in den Glasscheiben müssen nach oben weisen.
- Schrauben Sie zur Befestigung der Glasplatten einen Gewindestift in jede Manschette.
- Schieben Sie die rückseitigen Glasplatten in die Manschetten. Die Aufnahmebohrungen in den Glasscheiben müssen nach oben weisen.
- Schrauben Sie zur Befestigung der Glasplatten einen Gewindestift in jede Manschette.
- Schieben Sie in jedes Loch eine Plastikhülse.
- Schrauben Sie die Halterung mit Hilfe der Schraubgruppe an das Innere der Glasplatten.
- Legen Sie die obere Glasplatte auf die Halterung und stimmen Sie die Löcher aufeinander ab.
- Stecken Sie in jedes Loch eine Plastikhülse und befestigen Sie die obere Glasplatte mit den Schrauben an den Halterungen.

Montageanleitung der Glasplatten



MONTAGE



DE

BETRIEB

Das Gerät einschalten

- Schließen Sie die Türen/Schubladen des Gerätes.
- Der Netzschalter muss sich in der Position (O) befinden. Stecken Sie den Netzstecker in eine geeignete Steckdose.
- Schalten Sie den Netzschalter auf die Position (I). Die gegenwärtige Temperatur im Geräteinneren wird angezeigt.
- Auf dem Bedienfeld blinkt das Symbol für drei Minuten zur Verzögerung zwischen dem Anhalten des Kompressors und einem Neustart.

Öffnen / Schließen des Deckels/der Schublade

Warnung: Der Schiebedeckel besitzt keinen Verriegelungsmechanismus. Der Schiebedeckel muss sich immer in der Position „halboffen“ befinden, bevor Sie den Deckel ganz öffnen.

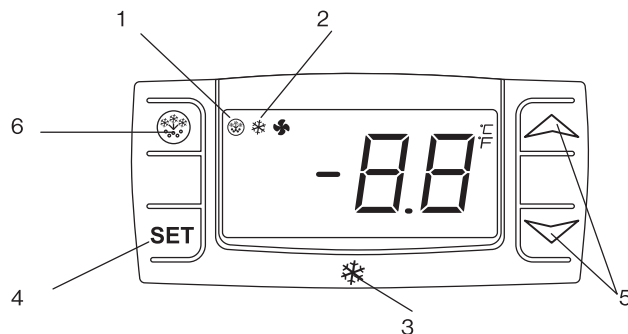
Warnung: Bitte ziehen Sie die Schublade nicht in völliger Position, um Verletzung zu vermeiden.

Der Deckel der Saladette GSA ist mehrfach verstellbar.

- Schieben Sie den geschlossenen Deckel ein wenig zurück in die Position „halb-offen“. Dadurch erhalten Sie teilweise Zugang zu den GN Behältern.
- Öffnen Sie den Deckel nach oben bis das Scharnier in der Führungsnute einrastet.
- Klappen Sie den Deckel vollständig nach hinten bis die GN Behälter komplett zugänglich sind.

Temperatureinstellung und Kontrolle

Das Thermostat



1. Abtauleuchte
2. Kompressorbetriebsleuchte
3. Digitales Thermostat
4. Programmier Taste (nur für Gerätewartung)
5. Tasten zur Temperatureinstellung
6. Manuelles Auftauen

Temperatur ablesen

- Drücken Sie einmal kurz die SET-Taste. Die Temperatur wird angezeigt.
- Drücken Sie die SET-Taste erneut oder warten Sie für 15 Sekunden. Die normale Betriebsanzeige erscheint wieder.

Temperatur verändern


- Halten Sie die SET-Taste für mehr als zwei Sekunden gedrückt um einen neuen Wert einzustellen.
- Der Temperaturwert wird angezeigt und das „°C“ beginnt zu blinken.
- Um den Temperaturwert zu verändern drücken Sie die Pfeile „ \wedge “ (oben) oder „ \vee “ (unten) innerhalb von 10 Sekunden.
- Um den neuen Temperaturwert zu speichern, drücken Sie entweder die SET-Taste oder warten Sie 10 Sekunden.

Manuelles Abtauen

Das Gerät führt alle 12 Stunden automatisch einen Abtauvorgang durch.

Anmerkung: Die Abtaungszeitschaltung beginnt mit der ersten Inbetriebnahme des Gerätes.

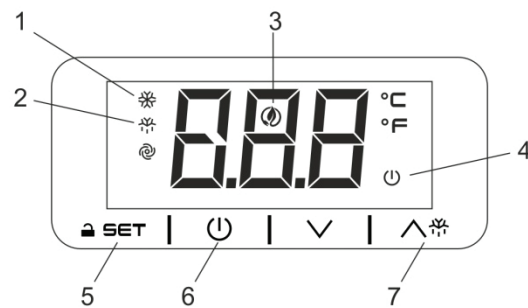
Zur manuellen Abtaung gehen Sie wie folgt vor:

- Halten Sie die ABTAUUNG-Taste  für 5 Sekunden gedrückt.
- Der Abtauvorgang beginnt umgehend und die Abtaungs-LED leuchtet auf. Das Abtauen dauert 20 Minuten.

Anmerkung: Bei einer manuellen Abtaung wird die Abtaungszeitschaltung automatisch auf Null

Temperatureinstellung und Überwachung Die Vorderseite des Thermostates

DE



1. LED Kompressor
2. LED Abtauen
3. LED Energiesparfunktion
4. LED Stand-by
5. Programmieraste (nur Kundendienst)
6. Maschine /Stand-by (gedrückt halten)
7. Manuelles Abtauen (gedrückt halten)

Sperren/ Entriegeln der Tastatur («Loc» message)

- Drücken Sie eine beliebige Taste länger als zwei Sekunden und die Meldung "UnL" wird angezeigt, um die Tastatur zu entriegeln.

Hinweis: Aus Sicherheitsgründen wird die Tastatur automatisch nach 30s ohne Betätigung der Tasten gesperrt, Für Ausführung aller Operationen bitte entsperren Sie zuerst die Tastatur

Einstellung und Änderung des Setpoints

- Drücken und sofort wieder **SET** loslassen. Der Sollwert wird angezeigt und beginnt zu blinken.
- Um den eingestellten Wert zu ändern, drücken \wedge oder \vee innerhalb 20 sek.
- Zum Speichern der neuen Sollwerte, nochmal bitte **SET** drücken oder abwarten 20 sek.

Manuelles Aktivieren von Abtauen

Das Gerät startet automatisch einen Abtauzyklus alle 12 Stunden.

Hinweis: Der Zyklus beginnt von der Zeit an, zu der das Gerät zum ersten Mal eingeschaltet wurde.

Manuelles Aktivieren von Abtauen:

- Drücken und halten die Taste DEFROST \wedge für 3 sek;
- Der Abtauzyklus wird sofort gestartet und die LED \wedge LED leuchtet. Das Auftauen dauert 20 Minuten

Hinweis: beim Starten eines manuellen Abtauen, setzen Sie bitte auch den automatischen Abtautimer zurück. Der nächste automatische Abtauzyklus wird in 12 Stunden nachdem das manuelle Abtauen abgeschlossen ist, beginnen.

STAND-BY Modus

- Die Taste \cup für 4 Sek. gedrückt halten. Das Gerät wird aus dem ON- Modus ins STAND-BY-Modus wechseln und umgekehrt. Während die Taste \cup gedrückt gehalten wird, blinkt LED und zeigt die Modusänderung.

REINIGUNG / PFLEGE & WARTUNG

Routinemäßige Wartung

Schalten Sie das Gerät vor der Reinigung aus und ziehen Sie den Netzstecker.

- Reinigen Sie das Gehäuse und das Innere des Gerätes so oft wie möglich.
- Wischen Sie das Gerät mit einem feuchten Tuch ab. Achten Sie darauf, dass Schalter, Bedienfeld, Kabel und Netzstecker nicht nass werden.
- Verwenden Sie zur Reinigung keine aggressiven Reinigungsmittel. Diese könnten schädliche Rückstände hinterlassen. Verwenden Sie ausschließlich mildes Seifenwasser.
- Achten Sie darauf, dass Reinigungswasser niemals in elektrische Gerätekomponenten dringt.
- Reinigen Sie das Gerät niemals mit einem Wasserstrahl.
- Reiben Sie das Gerät nach der Reinigung mit einem weichen Tuch trocken.
- Reinigen Sie die Geräterückseite vorsichtig.
- Reparaturen müssen von einem Kundendienst oder einem qualifizierten Fachmann durchgeführt werden.
- Wenn das Gerät über einen längeren Zeitraum nicht verwendet wird, stellen Sie den Leistungsschalter in die Position AUS und ziehen Sie den Netzstecker. Leeren Sie alle Kühlfächer und reinigen Sie das Gerät gründlich.

DE

Spezielle Wartung

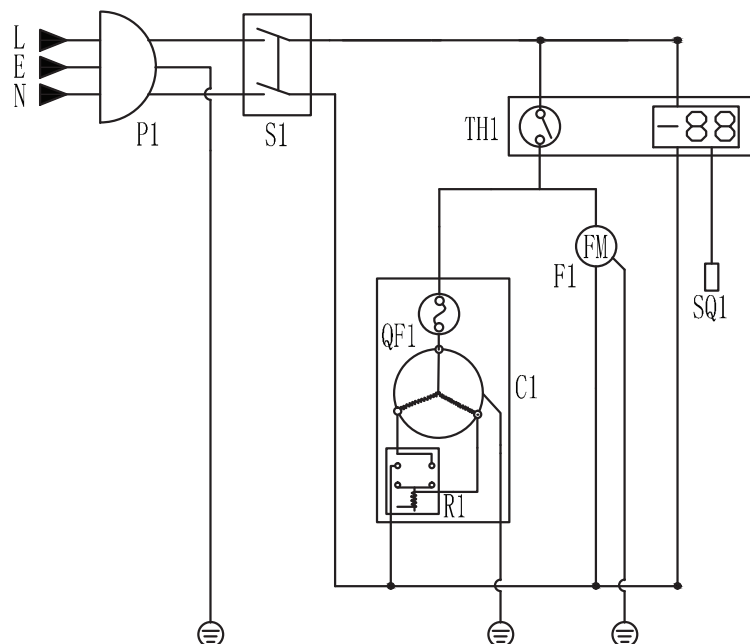
Die folgenden Anweisungen gelten für Fachleute

Regelmäßiges Vorgehen

- Reinigen Sie den Kondensator regelmäßig mit einem geeigneten Hilfsmittel (Staubsauger oder weiche Bürste).
- Elektrische Verbindungen dürfen nicht locker sein.
- Prüfen Sie, dass Thermostat und Sensor ordnungsgemäß funktionieren.
- Lassen Sie den Kondensator ggfs. von einem qualifizierten Fachmann reinigen.

SCHALTPLAN

P1	NETZSTECKER
S1	NETZSCHALTER
TH1	THERMOSTAT
C1	KOMPRESSOR
QF1	ÜBERLAST
R1	RELAIS
F1	KONDENSATORGEBLÄSE
SQ1	TEMPERATURSENSOR



TECHNISCHE DATEN

MODELL	NENNLEISTUNG V/Hz	KLIMAKLASSE CLASS	TEMPERATURBEREICH RANGE °C	KÄLTEMITTEL	KÄLTEMITTELFÜLLUNG CHARGE g	ENGANGSLEISTUNG W	Nennstrom A	NETTOVOLUMEN	ABMESSUNGEN mm (WxDxH)	NETTOGEWICHT Kg
VRX1000/330	220-240/50	4	+2~+8	R134a/R600a	65/30	160	1.2	3xGN1/4	955x335x225	34
VRX1000/380	220-240/50	4	+2~+8	R134a/R600a	65/30	160	1.2	2xGN1/3+1xGN1/2	955x395x225	37
VRX1200/330	220-240/50	4	+2~+8	R134a/R600a	75/35	160	1.2	5xGN1/4	1200x335x225	39
VRX1200/380	220-240/50	4	+2~+8	R134a/R600a	75/35	160	1.2	3xGN1/3+1xGN1/2	1200x395x225	43
VRX1300/330	220-240/50	4	+2~+8	R134a/R600a	75/35	160	1.2	5xGN1/4	1300x335x225	41
VRX1300/380	220-240/50	4	+2~+8	R134a/R600a	75/35	160	1.2	5xGN1/3	1300x395x225	45
VRX1400/330	220-240/50	4	+2~+8	R134a/R600a	80/40	160	1.3	6xGN1/4	1400x335x225	42
VRX1400/380	220-240/50	4	+2~+8	R134a/R600a	80/40	160	1.3	6xGN1/3	1400x395x225	46.5
VRX1500/330	220-240/50	4	+2~+8	R134a/R600a	80/40	160	1.3	7xGN1/4	1500x335x225	47
VRX1500/380	220-240/50	4	+2~+8	R134a/R600a	80/40	160	1.3	5xGN1/3+1xGN1/2	1500x395x225	48
VRX1600/330	220-240/50	4	+2~+8	R134a/R600a	80/40	160	1.3	7xGN1/4	1600x335x225	47
VRX1600/380	220-240/50	4	+2~+8	R134a/R600a	80/40	160	1.3	5xGN1/3+1xGN1/2	1600x395x225	51
VRX1800/330	220-240/50	4	+2~+8	R134a/R600a	90/40	160	1.3	8xGN1/4	1800x335x225	48
VRX1800/380	220-240/50	4	+2~+8	R134a/R600a	90/40	160	1.3	8xGN1/3	1800x395x225	51
VRX1900/330	220-240/50	4	+2~+8	R134a/R600a	90/45	160	1.3	9xGN1/4	1900x335x225	51.5
VRX1900/380	220-240/50	4	+2~+8	R134a/R600a	90/45	160	1.3	7xGN1/3+1xGN1/2	1900x395x225	55.5
VRX2000/330	220-240/50	4	+2~+8	R134a/R600a	95/45	160	1.3	10xGN1/4	2000x335x225	53.5
VRX2000/380	220-240/50	4	+2~+8	R134a/R600a	95/45	160	1.3	9xGN1/3	2000x395x225	57.5
VRX2200/330	220-240/50	4	+2~+8	R134a/R600a	110/50	160	1.3	11xGN1/4	2200x335x225	55
VRX2200/380	220-240/50	4	+2~+8	R134a/R600a	110/50	160	1.3	10xGN1/3	2200x395x225	59
VRX2500/330	220-240/50	4	+2~+8	R134a/R600a	110/50	160	1.3	12xGN1/4	2500x395x225	59
VRX2500/380	220-240/50	4	+2~+8	R134a/R600a	110/50	160	1.3	11xGN1/3	2500x395x225	62
VRX1000/330 LID	220-240/50	4	+2~+8	R134a/R600a	65/30	160	1.2	3xGN1/4	955x335x225	26
VRX1000/380 LID	220-240/50	4	+2~+8	R134a/R600a	65/30	160	1.2	2xGN1/3+1xGN1/2	955x395x225	29
VRX1200/330 LID	220-240/50	4	+2~+8	R134a/R600a	75/35	160	1.2	5xGN1/4	1200x335x225	30
VRX1200/380 LID	220-240/50	4	+2~+8	R134a/R600a	75/35	160	1.2	3xGN1/3+1xGN1/2	1200x395x225	34
VRX1300/330 LID	220-240/50	4	+2~+8	R134a/R600a	75/35	160	1.2	5xGN1/4	1300x335x225	31
VRX1300/380 LID	220-240/50	4	+2~+8	R134a/R600a	75/35	160	1.2	5xGN1/3	1300x395x225	34
VRX1400/330 LID	220-240/50	4	+2~+8	R134a/R600a	80/40	160	1.3	6xGN1/4	1400x335x225	31.5
VRX1400/380 LID	220-240/50	4	+2~+8	R134a/R600a	80/40	160	1.3	6xGN1/3	1400x395x225	36.5
VRX1500/330 LID	220-240/50	4	+2~+8	R134a/R600a	80/40	160	1.3	7xGN1/4	1500x335x225	31.5
VRX1500/380 LID	220-240/50	4	+2~+8	R134a/R600a	80/40	160	1.3	5xGN1/3+1xGN1/2	1500x395x225	37
VRX1600/330 LID	220-240/50	4	+2~+8	R134a/R600a	80/40	160	1.3	7xGN1/4	1600x335x225	36
VRX1600/380 LID	220-240/50	4	+2~+8	R134a/R600a	80/40	160	1.3	5xGN1/3+1xGN1/2	1600x395x225	39
VRX1800/330 LID	220-240/50	4	+2~+8	R134a/R600a	90/40	160	1.3	8xGN1/4	1800x335x225	34
VRX1800/380 LID	220-240/50	4	+2~+8	R134a/R600a	90/40	160	1.3	8xGN1/3	1800x395x225	41
VRX1900/330 LID	220-240/50	4	+2~+8	R134a/R600a	90/45	160	1.3	9xGN1/4	1900x335x225	38
VRX1900/380 LID	220-240/50	4	+2~+8	R134a/R600a	90/45	160	1.3	7xGN1/3+1xGN1/2	1900x395x225	42.5
VRX2000/330 LID	220-240/50	4	+2~+8	R134a/R600a	95/45	160	1.3	10xGN1/4	2000x335x225	40
VRX2000/380 LID	220-240/50	4	+2~+8	R134a/R600a	95/45	160	1.3	9xGN1/3	2000x395x225	43
VRX2200/330 LID	220-240/50	4	+2~+8	R134a/R600a	110/50	160	1.3	11xGN1/4	2200x335x225	40.5
VRX2200/380 LID	220-240/50	4	+2~+8	R134a/R600a	110/50	160	1.3	10xGN1/3	2200x395x225	41
VRX2500/330 LID	220-240/50	4	+2~+8	R134a/R600a	110/50	160	1.3	12xGN1/4	2500x335x225	45
VRX2500/380 LID	220-240/50	4	+2~+8	R134a/R600a	110/50	160	1.3	11xGN1/3	2500x395x225	47



ACHTUNG: BEI DER ANWENDUNG DES BRENNBAREN KÄLTEMITTELS R600a BESTEHT FEUER- UND EXPLOSIONSGEFAHR.



Hinweise zum Umweltschutz

Alt-Elektrogeräte sind Wertstoffe, sie gehören daher nicht in den Hausmüll! Wir möchten Sie daher bitten, uns mit Ihrem aktiven Beitrag bei der Ressourcenschonung und beim Umweltschutz zu unterstützen und dieses Gerät bei den -falls vorhanden- eingerichteten Rücknahmestellen abzugeben.

FEHLERBEHANDLUNG

Sollte Ihr Gerät Fehlfunktionen aufweisen, prüfen Sie die folgenden Punkte:

Fehlfunktion	Mögliche Ursache	Abhilfe
Das Gerät funktioniert nicht	Das Gerät ist nicht eingeschaltet	Prüfen Sie, ob das Gerät eingesteckt und eingeschaltet ist
	Stecker und Kabel sind beschädigt	Kontaktieren Sie einen Kundendienst oder qualifizierten Fachmann
	Die Sicherung im Kabel ist durchgebrannt	Wechseln Sie die Sicherung aus (GB)
	Netzanschluss	Prüfen Sie den Netzanschluss
	Innenverdrahtung fehlerhaft	Kontaktieren Sie einen Kundendienst oder qualifizierten Fachmann
Das Gerät lässt sich einschalten, aber die Temperatur ist zu hoch/ niedrig	Zu viel Eis im Verdampfer	Tauen Sie das Gerät ab
	Kondensator ist staubverschmutzt	Kontaktieren Sie einen Kundendienst oder einen qualifizierten Fachmann
	Gerät befindet sich in der Nähe einer Wärmequelle oder Luftfluss zum Kondensator ist unterbrochen	Wählen Sie einen besser geeigneten Standort für das Gerät
	Umgebungstemperatur ist zu hoch	Sorgen Sie für bessere Belüftung oder wählen Sie einen kühleren Standort für das Gerät
	Ungeeignete Lebensmittel im Gerät gelagert	Entfernen Sie zu heiße Lebensmittel; der Ventilator darf nicht blockiert sein
	Gerät ist überfüllt	Verringern Sie die Menge der gelagerten Lebensmittel
Das Gerät ist ungewöhnlich laut	Lockere Muttern/ Schrauben	Prüfen Sie Schrauben und Muttern und ziehen Sie diese ggfs. fest
	Das Gerät steht nicht eben und stabil	Prüfen Sie den Standort und ändern Sie diesen wenn notwendig
	Die Auffangvorrichtung läuft über	Leeren Sie die Auffangvorrichtung

DE

GEWÄHRLEISTUNG

Für dieses Produkt gilt die gesetzliche Gewährleistung.

Schäden, die durch unsachgemäße Behandlung oder Bedienung, durch falsches Aufstellen oder Aufbewahren, durch unsachgemäßen Anschluss oder Installation, sowie durch höhere Gewalt oder sonstige äußere Einflüsse entstehen, fallen nicht unter die Gewährleistung. Falls produktspezifische Hinweise beiliegen, empfehlen wir dringend diese zu lesen und zu beachten.

Hinweise:

- Sollte Ihr Produkt nicht mehr richtig funktionieren, prüfen Sie bitte zunächst, ob andere Gründe, wie z. B. eine unterbrochene Stromversorgung (insofern es sich um ein elektronisches Gerät handelt) oder generell eine falsche Handhabung, die Ursache sein könnten.
- Beachten Sie bitte, dass Sie Ihrem defekten Produkt nach Möglichkeit folgende Unterlagen bzw. Informationen beifügen oder diese bereithalten:
 - Kaufquittung
 - Gerätebezeichnung / Typ / Marke
 - Beschreibung des aufgetretenen Mangels mit möglichst genauer Fehlerangabe

Bei Gewährleistungsansprüchen oder Störungen wenden Sie sich bitte an Ihre Einkaufsstätte.

Chère cliente,
Cher client,

Nous vous félicitons pour l'achat de ce produit . Ce produit a, comme tous les autres produits , été développé sur base des connaissances techniques les plus récentes et fabriqué en utilisant des éléments électriques/électroniques fiables et modernes.

Prenez quelques minutes avant d'utiliser l'appareil et lisez attentivement ce mode d'emploi.

Merci!

FR

TABLE DES MATIÈRES

Consignes de sécurité.....	22~24
Montage.....	24~26
Fonctionnement.....	26~28
Nettoyage / soin et entretien.....	29
Schéma de connexion.....	29
Données techniques.....	30
Résolution des pannes.....	31
Garantie.....	31

CONSIGNES DE SÉCURITÉ



Important: pour votre sécurité personnelle, lisez attentivement ce mode d'emploi avant de mettre l'appareil en service. Conservez le mode d'emploi afin de pouvoir le consulter ultérieurement.

L'endroit de pose de l'appareil doit être plat et stable.

Le montage et les éventuels travaux de réparation doivent être effectués un service clientèle ou par un spécialiste qualifié.

Ne retirez jamais des éléments de commande intégrés ou d'autres éléments de l'appareil.

CONSIGNES DE SÉCURITÉ

L'appareil doit répondre aux dispositions locales en vigueur en ce qui concerne les points suivants:

1. Normes de santé et de sécurité sur le lieu de travail.
2. Disposition en matière de protection contre l'incendie.
3. Normes IEE relatives aux câblages électriques.
4. Code de la construction.
5. Cet appareil est conçu pour un usage commercial.
6. N'utilisez **PAS** l'appareil en plein air.
7. N'effectuer **JAMAIS** de travaux d'entretien à l'appareil vous-même.
8. N'utilisez **PAS** l'appareil si vous voyez qu'il est endommagé. En cas de doute, adressez-vous au service clientèle.
9. N'utilisez jamais d'autres appareils électrique à l'intérieur de cet appareil (par exemple chauffages, machine à glaçon (excepté si le fabricant l'a expressément autorisé).
10. Veillez à ne pas obstruer les ouvertures de ventilation intégrées ou apparentes sur le boîtier.
11. N'essayez jamais d'accélérer le processus de dégivrage de manière mécanique ou à l'aide d'objets tiers (excepté si le fabricant l'a expressément autorisé).
12. N'endommagez **JAMAIS** le circuit de refroidissement de l'appareil.
13. Ne vous placez **PAS** sur l'appareil ou sur la plaque en verre et ne vous y tenez **PAS**.
14. Veillez à ce que les composants en plastique n'entrent **PAS** en contact avec de l'huile ou de la graisse. Si tel est le cas, nettoyez-les immédiatement.
15. Ne posez **JAMAIS** d'objets inflammables, explosifs ou volatiles, de médicaments, d'alcalis ou d'autres liquides dans l'appareil.
16. Ne stockez jamais de substances médicinales dans cet appareil.
17. Ne nettoyez **JAMAIS** l'appareil à l'aide d'un nettoyeur haute pression.
18. Ne laissez pas les enfants jouer avec les matériaux d'emballage. Éliminez les sacs en plastique conformément aux prescriptions.

CONSIGNES DE SÉCURITÉ

- FR
19. Portez, stockez et mettez toujours l'appareil en marche en position verticale. Tenez toujours l'appareil par le socle lorsque vous le portez.
 20. Avant de procéder au nettoyage de l'appareil, éteignez-le et débranchez la prise.
 21. En cas d'endommagement de la prise, faites-la remplacer immédiatement par le fabricant, un service clientèle avisé ou un spécialiste qualifié.
 22. Cet appareil ne peut pas être utilisé par des personnes aux capacités physiques, sensorielles ou mentales limitées manquant d'expérience et de connaissances, ni par des mineurs, sauf s'ils sont sous la surveillance d'une personne responsable de leur sécurité ou que cette dernière leur a expliqué le fonctionnement de l'appareil.
 23. Il y a lieu de surveiller les enfants afin de s'assurer qu'ils ne jouent pas avec l'appareil.
 24. L'appareil est uniquement conçu pour un usage domestique. Il ne peut pas être placé à proximité d'un jet d'eau et ne peut jamais être nettoyé à l'aide d'un nettoyeur haute-pression.
 24. Afin de garantir un fonctionnement sûr de l'appareil, ce dernier doit être monté et raccordé tel que décrit dans ce mode d'emploi.
 26. Les travaux de réparation et d'entretien peuvent exclusivement être réalisés par un service clientèle ou un spécialiste qualifié.
 27. Ne pas ranger dans cet appareil des produits potentiellement explosifs (ex: aérosols contenant des gaz inflammables).

MONTAGE

- Déballez l'appareil. Éliminez entièrement les films de protection en plastique et les couches de protection présents sur toutes les surfaces. Afin d'éviter toute blessure et de prévenir tout endommagement de l'appareil, déballez et montez-le à deux.
- Veillez à placer l'appareil avec une distance de sécurité de 20 cm (7 pouces) par rapport à un mur ou à un autre objet afin de garantir un flux d'air suffisant. Augmentez la distance de sécurité si l'objet voisin possède une source de chaleur.
- Mettez l'appareil d'aplomb en ajustant les pieds à visser. Afin d'éviter les vibrations et le développement de bruits, placez l'appareil sur un sol plat et dur ou sur un socle spécial.
- La température de la pièce où se trouve l'appareil doit être comprise entre 10 et 32°C (classe climatique: 4). L'appareil ne peut pas être exposé à la lumière directe du soleil. Aucune source de chaleur, comme par exemple un four ou un chauffage, ne devrait se trouver à proximité directe de l'appareil.
- Veillez à ce que la ventilation de l'appareil fonctionne correctement.
- L'alimentation électrique et la tension du réseau doivent correspondre aux données mentionnées sur la plaquette signalétique de l'appareil. La prise doit être accessible après l'installation.
- Branchez et débranchez la prise de manière correcte. La prise doit être poussée fermement dans la prise murale. Lorsque vous la débranchez, placez une main sur la prise murale et tenez la prise de l'autre main pour l'extraire. Ne débranchez jamais l'appareil en tirant sur le câble.
- Si vous n'utilisez pas l'appareil pendant un certain laps de temps, éteignez-le et débranchez la prise. Nettoyez l'appareil et ouvrez portes et couvercles afin d'éviter la formation d'odeurs.

MONTAGE

- Important! Pour votre sécurité, veillez à ce que l'appareil soit correctement relié à la terre! Le câble de cet appareil est équipé d'un fil de terre et d'une prise Schuko. Branchez la prise dans une prise murale reliée à la terre et installée de manière conforme. Demandez conseil à un électricien qualifié ou au service clientèle si vous avez des doutes concernant les prescriptions de mise à la terre. Si vous avez des doutes sur le fait que la mise à la terre ait été réalisée correctement, faites contrôler le circuit par un électricien qualifié.
- Si le câble secteur n'est pas assez long pour atteindre la prise murale la plus proche, modifiez le lieu de pose ou faites installer une prise à proximité de l'appareil par un électricien.
- Après une panne de courant, attendez au moins 3 minutes avant de remettre l'appareil en marche afin d'éviter d'endommager le compresseur.

Montage des plaques en verre



ATTENTION ! LES PLAQUES EN VERRE SONT FRAGILES.

Remarque: veillez à ce que les trous de positionnement pour vis sans tête situés sur la garniture soient tournés vers l'intérieur.

Remarque: le trou le plus éloigné du bord de la plaque en verre doit être dirigé vers la face arrière de l'appareil.

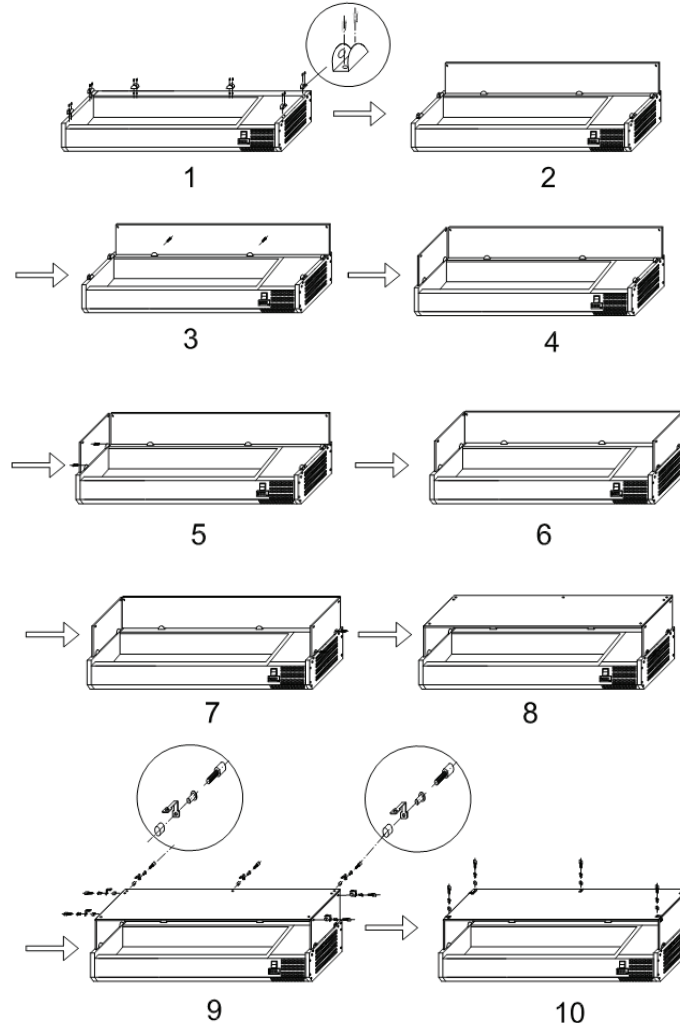
Remarque: veillez à ce que seule l'extrémité souple de la vis sans tête entre en contact avec les plaques en verre.

Attention: l'extrémité aplatie de la vis doit être en contact avec la face extérieure de la plaque en verre.

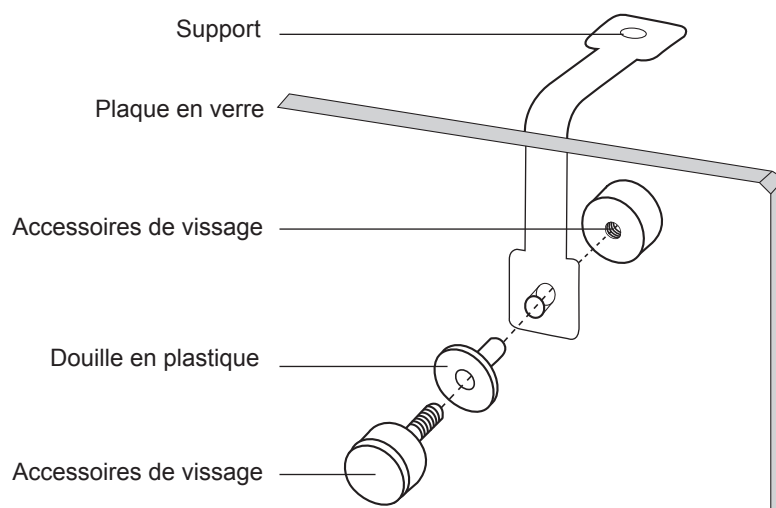
Remarque: les plaques en verre ne peuvent pas servir de tablettes.

- Déballez précautionneusement le contenu de la boîte en bois et du carton. Demandez à une seconde personne de vous aider.
- Vissez les garnitures sur les bords de l'appareil.
- Glissez les deux parois en verre latérales dans les garnitures. Les trous de positionnement présents sur les plaques en verre doivent être dirigés vers le haut.
- Pour fixer les plaques en verre, vissez une vis sans tête dans chaque garniture.
- Glissez les plaques en verre arrière dans les garnitures. Les trous de positionnement présents sur les plaques en verre doivent être dirigés vers le haut.
- Pour fixer les plaques en verre, vissez une vis sans tête dans chaque garniture.
- Glissez une douille en plastique dans chaque trou.
- Vissez le support sur la face intérieure des plaques en verre à l'aide des accessoires de vissage.
- Placez la plaque en verre supérieure sur le support et alignez les différents trous.
- Placez un capuchon en plastique dans chaque trou et fixez la plaque en verre supérieure aux supports à l'aide des vis.

Montage des vitres



MONTAGE



FR


FONCTIONNEMENT

Conservation des aliments

Tenez-vous aux prescriptions suivantes afin d'obtenir le meilleur résultat de conservation possible :

- Remplissez l'appareil avec des aliments uniquement lorsque ce dernier a atteint la température de service prescrite.
- Les récipients GN doivent toujours se trouver dans les compartiments prévus à cet effet, même lorsqu'ils ne sont pas remplis. Le retrait des récipients GN réduirait fortement la performance de l'appareil.
- Veillez à toujours bien fermer la porte, le tiroir et le couvercle.
- Ne placez pas d'aliments ou de liquides chauds non emballés dans l'appareil.
- Les aliments doivent toujours être bien emballés ou couverts.
- Les ventilateurs situés à l'intérieur de l'appareil ne peuvent pas être bloqués.
- Les portes/tiroirs de l'appareil ne peuvent pas rester ouverts pendant une période trop longue.
- La limite de charge maximale d'une étagère/d'un tiroir est de 20 kg.
- Les éléments placés dans le coffre ou dans la vitrine doivent se trouver dans des récipients. Ils ne peuvent pas être stockés sans être emballés.
- Lorsque vous procédez au remplissage de la vitrine avec des aliments ou des légumes frais, du givre peut se former sur la surface de la vitrine. Ce processus est tout à fait normal.

Mise en marche de l'appareil

- Fermez la porte/les tiroirs de l'appareil.
- L'interrupteur secteur doit se trouver sur la position (O). Branchez l'appareil dans une prise adaptée.
- Mettez l'interrupteur secteur sur la position (I). La température actuelle régnant à l'intérieur de l'appareil est affichée.
- Le symbole  présent sur le champ de commande clignote pendant trois minutes pour indiquer le délai d'attente entre l'arrêt du compresseur et le redémarrage de l'appareil.

Ouverture / Fermeture du couvercle/du tiroir

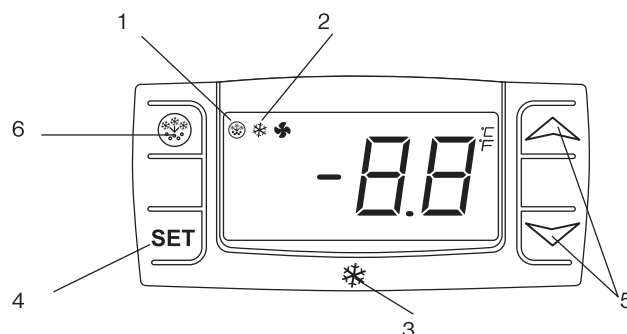
AVERTISSEMENT : le couvercle à glissière ne dispose pas d'un mécanisme de verrouillage. Le couvercle à glissière doit toujours se

AVERTISSEMENT : Afin d'éviter toute blessure, n'ouvrez pas le tiroir entièrement.

Le couvercle de la saladette GSA est réglable sur plusieurs niveaux:

- Repoussez légèrement le couvercle fermé dans la position « semi-ouvert ». Ceci vous permettra d'avoir partiellement accès aux récipients GN.
- Ouvrez le couvercle vers le haut jusqu'à ce que la charnière s'enclenche dans les rainures de guidage.
- Abaissez le couvercle entièrement vers l'arrière jusqu'à ce que les récipients GN soient totalement accessibles.

Réglage et contrôle de la température Le thermostat



1. Témoin de dégivrage
2. Témoin de fonctionnement du compresseur
3. Thermostat digital
4. Touche de programmation (servant uniquement lors de l'entretien de l'appareil)
5. Touches de réglage de la température
6. Dégivrage manuel

Lecture de la température

- Appuyez une fois brièvement sur la touche SET. La température est affichée.
- Appuyez à nouveau sur la touche SET et patientez 15 secondes. L'affichage normal réapparaît.

Modification de la température

- Maintenez la touche SET enfoncée pendant plus de 2 secondes afin de définir une nouvelle valeur.
- La température est affichée et la mention « °C » se met à clignoter.
- Pour modifier la température, appuyez sur les touches „ ^ ” (haut) ou „ v ” (bas) dans les 10 secondes.
- Pour mémoriser une nouvelle température, appuyez soit sur la touche SET ou attendez 10 secondes.

Dégivrage manuel

L'appareil exécute automatiquement un dégivrage manuel toutes les heures.

Remarque : l'activation du dégivrage automatique se fait lors de la première mise en service de l'appareil.

Pour effectuer un dégivrage manuel, procédez comme suit :

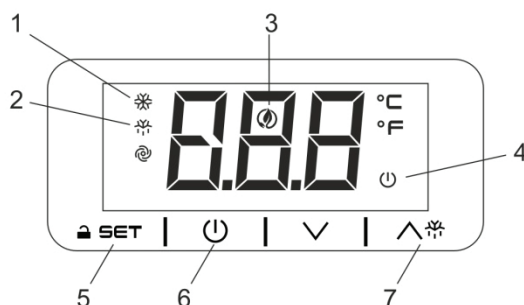
- Maintenez la touche DEGIVRAGE (6) enfoncée pendant 5 secondes.
- Le processus de dégivrage débute immédiatement et la LED de dégivrage s'allume. Le dégivrage dure 20 minutes.

Remarque : lorsque vous effectuez un dégivrage manuel, le compteur d'activation du dégivrage est automatiquement remis à zéro. Le prochain dégivrage automatique sera activé 12 heures après le dégivrage manuel.

FONCTIONNEMENT

Guide d'utilisation et réglage du point de consigne du thermostat La façade du thermostat

FR



1. Led fonctionnement Compresseur
2. Led Dégivrage
3. Led Energy saving
4. Led Stand-by
5. Touche programmation (seulement pour les utilisateurs autorisés)
6. Touche On/Stand-by (maintenir appuyer)
7. Touche dégivrage manuel (maintenir appuyer)

Comment déverrouiller le clavier («Loc» message)

- Appuyez sur un bouton pendant plus de 2s, le message «UnL» apparaîtra et le clavier sera déverrouillé.
Note: pour des raisons de sécurité le clavier se verrouille automatiquement après 30s d'inactivité sur les touches.
Pour exécuter toute opération, il faut d'abord déverrouiller le clavier.

Comment visualiser et modifier le point de consigne

- Appuyer et relâcher immédiatement la touche **SET**, le point de consigne sera visualisé et commence à clignoter;
- Pour changer la valeur appuyer sur la touche ou dans les 20 secondes.
- Pour mémoriser la nouvelle valeur du point de consigne appuyer sur la touche **SET** ou attendre 20 sec.

Dégivrage manuel

L'appareil va automatiquement lancer un cycle de dégivrage toutes les 12 heures.
Remarque: le cycle commence à partir du moment où l'appareil est mis sous tension.

Pour faire un dégivrage manuel:

- Appuyez et maintenez la touche DEGRIVRAGE pendant 3s.
- Le cycle de dégivrage va commencer immédiatement et la LED s'allume. Le dégivrage durera 20 minutes.

Remarque: Démarrer un dégivrage manuel réinitialise également la minuterie de dégivrage automatique. Le prochain dégivrage automatique débutera 12 heures après la fin du dégivrage manuel.

Comment mettre l'appareil dans l'état ON / STAND-BY

- Appuyez et maintenez la touche pendant 4s, l'appareil va passer de l'état ON à STAND-BY et vis-versa.
Pendant que la touche est maintenu la LED va clignoter pour indiquer le changement d'état.

NETTOYAGE / SOIN ET ENTRETIEN

Entretien de routine

Coupez l'appareil avant de procéder au nettoyage et débranchez-le.

- Nettoyez l'intérieur et l'extérieur de l'appareil aussi fréquemment que possible.
- Essuyez l'appareil avec un chiffon humide. Veillez à ce que l'interrupteur, le panneau de commande, le câble et la prise secteur ne soient pas mouillés.
- N'utilisez pas de détergents agressifs lorsque vous procédez au nettoyage. Ces derniers pourraient laisser des résidus nocifs sur l'appareil. Utilisez uniquement de l'eau savonnée douce.
- Veillez à ce que l'eau de nettoyage n'entre jamais en contact avec les composants électriques de l'appareil.
- Ne nettoyez jamais l'appareil avec un jet d'eau.
- Après nettoyage, essuyez l'appareil à l'aide d'un chiffon doux.
- Nettoyez la face arrière de l'appareil avec précaution.
- Les réparations doivent être exécutées par un service clientèle ou un spécialiste qualifié.
- Si vous n'utilisez pas l'appareil pendant un certain laps de temps, placez l'interrupteur de fonctionnement sur la position ARRÊT et débranchez la prise. Videz tous les compartiments de réfrigération et nettoyez soigneusement l'appareil.

FR

Entretien spécial

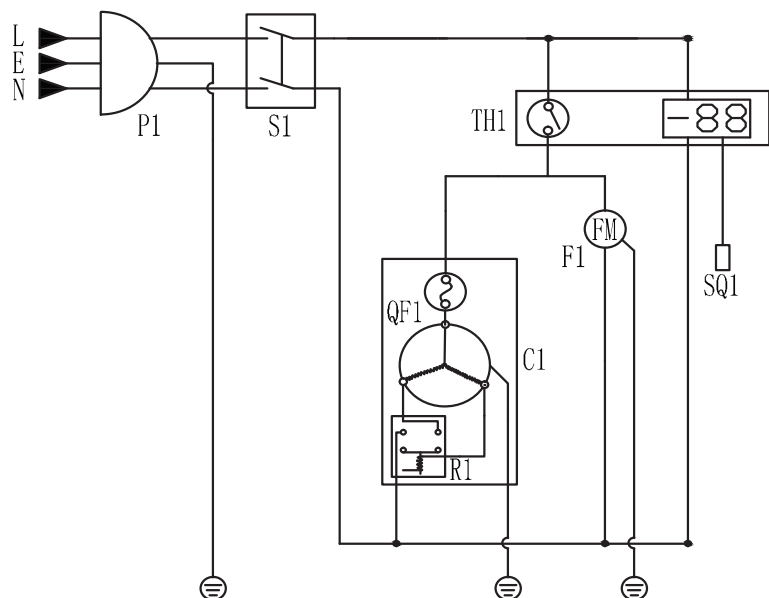
Les consignes suivantes s'adressent aux spécialistes

Procédure à suivre régulièrement

- Nettoyez régulièrement le condensateur à l'aide d'un outil adapté (aspirateur ou brosse souple).
- Les connexions électriques ne peuvent pas être desserrées.
- Contrôlez que le thermostat et le capteur fonctionnent correctement.
- Le cas échéant, faites nettoyer le condensateur par un spécialiste qualifié.

SCHÉMA DE CONNEXION

P1	FICHE D'ALIMENTATION
S1	COMMUTATEUR PRINCIPAL
TH1	THERMOSTAT
C1	COMPRESSEUR
QF1	SURCHARGE
R1	RELAIS
F1	VENTILATEUR DU CONDENSATEUR
SQ1	CAPTEUR DE TEMPERATURE



DONNÉES TECHNIQUES

FR

MODÈLE	PUISSANCE NOMINALE V/Hz	CLASSE DE CLIMAT	GAMME DE TEMPÉRATURES °C	RÉFRIGÉRANT	CHARGE DE RÉF. CHARGE g	POWER W	COURANT NOMINALA	LITRES NETS	DIMENSIONS mm (WxDxH)	POIDS NET Kg
VRX1000/330	220-240/50	4	+2~+8	R134a/R600a	65/30	160	1.2	3xGN1/4	955x335x225	34
VRX1000/380	220-240/50	4	+2~+8	R134a/R600a	65/30	160	1.2	2xGN1/3+1xGN1/2	955x395x225	37
VRX1200/330	220-240/50	4	+2~+8	R134a/R600a	75/35	160	1.2	5xGN1/4	1200x335x225	39
VRX1200/380	220-240/50	4	+2~+8	R134a/R600a	75/35	160	1.2	3xGN1/3+1xGN1/2	1200x395x225	43
VRX1300/330	220-240/50	4	+2~+8	R134a/R600a	75/35	160	1.2	5xGN1/4	1300x335x225	41
VRX1300/380	220-240/50	4	+2~+8	R134a/R600a	75/35	160	1.2	5xGN1/3	1300x395x225	45
VRX1400/330	220-240/50	4	+2~+8	R134a/R600a	80/40	160	1.3	6xGN1/4	1400x335x225	42
VRX1400/380	220-240/50	4	+2~+8	R134a/R600a	80/40	160	1.3	6xGN1/3	1400x395x225	46.5
VRX1500/330	220-240/50	4	+2~+8	R134a/R600a	80/40	160	1.3	7xGN1/4	1500x335x225	47
VRX1500/380	220-240/50	4	+2~+8	R134a/R600a	80/40	160	1.3	5xGN1/3+1xGN1/2	1500x395x225	48
VRX1600/330	220-240/50	4	+2~+8	R134a/R600a	80/40	160	1.3	7xGN1/4	1600x335x225	47
VRX1600/380	220-240/50	4	+2~+8	R134a/R600a	80/40	160	1.3	5xGN1/3+1xGN1/2	1600x395x225	51
VRX1800/330	220-240/50	4	+2~+8	R134a/R600a	90/40	160	1.3	8xGN1/4	1800x335x225	48
VRX1800/380	220-240/50	4	+2~+8	R134a/R600a	90/40	160	1.3	8xGN1/3	1800x395x225	51
VRX1900/330	220-240/50	4	+2~+8	R134a/R600a	90/45	160	1.3	9xGN1/4	1900x335x225	51.5
VRX1900/380	220-240/50	4	+2~+8	R134a/R600a	90/45	160	1.3	7xGN1/3+1xGN1/2	1900x395x225	55.5
VRX2000/330	220-240/50	4	+2~+8	R134a/R600a	95/45	160	1.3	10xGN1/4	2000x335x225	53.5
VRX2000/380	220-240/50	4	+2~+8	R134a/R600a	95/45	160	1.3	9xGN1/3	2000x395x225	57.5
VRX2200/330	220-240/50	4	+2~+8	R134a/R600a	110/50	160	1.3	11xGN1/4	2200x335x225	55
VRX2200/380	220-240/50	4	+2~+8	R134a/R600a	110/50	160	1.3	10xGN1/3	2200x395x225	59
VRX2500/330	220-240/50	4	+2~+8	R134a/R600a	110/50	160	1.3	12xGN1/4	2500x395x225	59
VRX2500/380	220-240/50	4	+2~+8	R134a/R600a	110/50	160	1.3	11xGN1/3	2500x395x225	62
VRX1000/330 LID	220-240/50	4	+2~+8	R134a/R600a	65/30	160	1.2	3xGN1/4	955x335x225	26
VRX1000/380 LID	220-240/50	4	+2~+8	R134a/R600a	65/30	160	1.2	2xGN1/3+1xGN1/2	955x395x225	29
VRX1200/330 LID	220-240/50	4	+2~+8	R134a/R600a	75/35	160	1.2	5xGN1/4	1200x335x225	30
VRX1200/380 LID	220-240/50	4	+2~+8	R134a/R600a	75/35	160	1.2	3xGN1/3+1xGN1/2	1200x395x225	34
VRX1300/330 LID	220-240/50	4	+2~+8	R134a/R600a	75/35	160	1.2	5xGN1/4	1300x335x225	31
VRX1300/380 LID	220-240/50	4	+2~+8	R134a/R600a	75/35	160	1.2	5xGN1/3	1300x395x225	34
VRX1400/330 LID	220-240/50	4	+2~+8	R134a/R600a	80/40	160	1.3	6xGN1/4	1400x335x225	31.5
VRX1400/380 LID	220-240/50	4	+2~+8	R134a/R600a	80/40	160	1.3	6xGN1/3	1400x395x225	36.5
VRX1500/330 LID	220-240/50	4	+2~+8	R134a/R600a	80/40	160	1.3	7xGN1/4	1500x335x225	31.5
VRX1500/380 LID	220-240/50	4	+2~+8	R134a/R600a	80/40	160	1.3	5xGN1/3+1xGN1/2	1500x395x225	37
VRX1600/330 LID	220-240/50	4	+2~+8	R134a/R600a	80/40	160	1.3	7xGN1/4	1600x335x225	36
VRX1600/380 LID	220-240/50	4	+2~+8	R134a/R600a	80/40	160	1.3	5xGN1/3+1xGN1/2	1600x395x225	39
VRX1800/330 LID	220-240/50	4	+2~+8	R134a/R600a	90/40	160	1.3	8xGN1/4	1800x335x225	34
VRX1800/380 LID	220-240/50	4	+2~+8	R134a/R600a	90/40	160	1.3	8xGN1/3	1800x395x225	41
VRX1900/330 LID	220-240/50	4	+2~+8	R134a/R600a	90/45	160	1.3	9xGN1/4	1900x335x225	38
VRX1900/380 LID	220-240/50	4	+2~+8	R134a/R600a	90/45	160	1.3	7xGN1/3+1xGN1/2	1900x395x225	42.5
VRX2000/330 LID	220-240/50	4	+2~+8	R134a/R600a	95/45	160	1.3	10xGN1/4	2000x335x225	40
VRX2000/380 LID	220-240/50	4	+2~+8	R134a/R600a	95/45	160	1.3	9xGN1/3	2000x395x225	43
VRX2200/330 LID	220-240/50	4	+2~+8	R134a/R600a	110/50	160	1.3	11xGN1/4	2200x335x225	40.5
VRX2200/380 LID	220-240/50	4	+2~+8	R134a/R600a	110/50	160	1.3	10xGN1/3	2200x395x225	41
VRX2500/330 LID	220-240/50	4	+2~+8	R134a/R600a	110/50	160	1.3	12xGN1/4	2500x335x225	45
VRX2500/380 LID	220-240/50	4	+2~+8	R134a/R600a	110/50	160	1.3	11xGN1/3	2500x395x225	47



ATTENTION : UN RISQUE D'INCENDIE ET D'EXPLOSION EXISTE LORS DE L'UTILISATION DE L'AGENT REFRIGERANT INFLAMMABLE R600a.



Informations sur la protection de l'environnement

Tout appareil électrique usé est une matière recyclable et ne fait pas partie des ordures ménagères! Nous vous demandons de bien vouloir nous soutenir en contribuant activement au ménagement des ressources et à la protection de l'environnement en déposant cet appareil dans des sites de collecte (si existants).

RÉSOLUTION DES PANNES

Si votre appareil ne fonctionne plus correctement, contrôlez les points suivants:

Problème	Cause possible	Solution
L'appareil ne fonctionne pas	L'appareil n'est pas allumé	Contrôlez si l'appareil est branché et mis en marche
	La prise et le câble sont endommagés	Contactez un service clientèle ou un spécialiste qualifié
	Le fusible du câble a brûlé	Remplacez le fusible (GB)
	Raccordement au réseau	Contrôlez le raccordement au réseau
	Erreur interne de câblage	Contactez un service clientèle ou un spécialiste qualifié
L'appareil ne peut pas être mis en marche car la température est trop élevée / basse	Trop de glace dans l'évaporateur	Dégivrez l'appareil
	Le condensateur est poussiéreux	Contactez un service clientèle ou un spécialiste qualifié
	L'appareil se trouve à proximité d'une source de chaleur ou le flux d'air vers le condensateur est interrompu	Choisissez un endroit de pose mieux adapté pour l'appareil
	La température ambiante est trop élevée	Assurez une meilleure ventilation ou sélectionnez un endroit de pose où il fait plus frais
	Aliments non adaptés stockés dans l'appareil	Retirez les aliments trop chauds ; le ventilateur ne peut pas être bloqué
	L'appareil est trop rempli	Réduisez la quantité des éléments stockés
L'appareil fait beaucoup plus de bruit que normalement	Ecrous/vis desserré	Contrôlez les vis et les écrous et le cas échéant, resserrez-les
	L'appareil n'est pas stable	Contrôlez le lieu de pose et bougez l'appareil si nécessaire
	Le dispositif de collecte déborde	Videz le dispositif de collecte

FR

GARANTIE

La garantie légale s'applique à ce produit.

Toute réclamation doit être formulée immédiatement après constatation.

La demande de garantie peut être formulée par l'acheteur ou par un tiers. Le droit de garantie ne s'applique pas dans les cas suivants : mauvaise utilisation ou fausse manipulation, stockage ou rangement non soigné, mauvais branchement ou montage, violence faite à l'appareil ou toute autre influence extérieure. Nous vous recommandons de lire attentivement le mode d'emploi qui vous fournira des informations importantes.

Toute demande de garantie de l'acheteur est soumise à la présentation de la preuve d'achat.

Remarques:

1. Si votre produit ne fonctionne plus correctement, merci de vérifier au préalable si une mauvaise manipulation ou une coupure d'électricité, par exemple, n'est pas à l'origine de ce dysfonctionnement.
2. Merci de fournir dans tous les cas les informations et documents suivants relatifs à votre produit défectueux:
 - Preuve d'achat
 - Désignation de l'appareil / type / marque
 - Description la plus précise possible du dysfonctionnement ou du défaut.

Pour toute demande de garantie ou pour signaler un dysfonctionnement, veuillez vous adresser à votre magasin.

Estimado cliente,
Estimada clienta.

Felicitaciones por la adquisición de su producto . Como todos los productos de , también este producto ha sido desarrollado de acuerdo con la tecnología más moderna, y utilizando componentes eléctricos confiables y modernos.

Por favor, tómese unos minutos antes de iniciar la operación del aparato, para leer con detenimiento las siguientes instrucciones de operación.



¡Muchas gracias!

ÍNDICE

Indicaciones de seguridad.....	32~34
Montaje.....	34~36
Fundionamiento.....	36~38
Limpieza, cuidado y mantenimiento.....	39
Esquema de conexiones.....	39
Datos técnicos.....	40
Detección y reparación de fallos.....	41
Garantía.....	41

INDICACIONES DE SEGURIDAD



Importante: antes de poner el expositor en funcionamiento, para mayor seguridad lea estas instrucciones con cuidado. Guarde estas instrucciones para poderlas consultar en caso de necesidad.

El lugar de instalación del artefacto deberá ser plano y estable.
El montaje y eventuales tareas de reparación deberán ser realizados por un técnico cualificado o por parte de un servicio técnico.
Nunca retire por su cuenta elementos de operación u otras partes del artefacto.

INDICACIONES DE SEGURIDAD

Verifique que el cumpla con los puntos que se detallan a continuación, relativos al país en donde se utilice:

1. Normativa de salud y seguridad ocupacional en el lugar de trabajo.
2. Especificaciones de protección antillama.
3. IEE – Normativa para instalaciones eléctricas.
4. Ordenanzas constructivas.
5. Este aparato está destinado únicamente para fines comerciales.
6. Nunca utilice el al aire libre.
7. Nunca realice trabajos de mantenimiento en este artefacto.
8. No utilice el si exhibe daños. En caso de duda, diríjase al servicio al cliente.
9. En ningún caso utilice otros aparatos eléctricos en el interior de este (como por ejemplo, calentadores, máquinas para hielo, etc.) excepto que los mismos estén expresamente autorizados por el fabricante.
10. Cuide de no tapar los orificios para ventilación en la carcasa del artefacto o en sus partes.
11. En ningún caso intente acelerar el proceso de descongelamiento por medios mecánicos o similares, excepto que el fabricante lo autorice expresamente.
12. Nunca dañe el circuito frigorífico del artefacto.
13. **NO** coloque el aparato sobre una placa de vidrio y **NO** lo sujete a ella.
14. Asegúrese de que los componentes de plástico **NO** entren en contacto con aceites ni grasas. Límpielos inmediatamente si esto ocurriese.
15. Nunca coloque en el interior del artefacto objetos inflamables, explosivos o volátiles, sustancias corrosivas, álcalis u otros líquidos.
16. En ninguna circunstancia guarde sustancias de uso médico en el artefacto.
17. Nunca limpie el artefacto con un hidrolavador a presión.
18. Nunca permita que los niños jueguen con el material de embalaje. Elimine correctamente las bolsas plásticas.

INDICACIONES DE SEGURIDAD

19. Transporte, almacene y opere el aparato siempre en posición vertical. Agarre el aparato por la base para transportarlo.
20. Antes de limpiar el artefacto, deberá desconectarlo por completo y desenchufarlo.
21. En caso de dañarse la clavija de enchufe, la misma deberá ser reemplazada de inmediato por el fabricante, por un técnico cualificado o por parte de un servicio técnico.
22. Este artefacto no puede ser utilizado por personas con capacidades físicas, sensoriales o mentales limitadas, ni por personas con escasa experiencia e información, ni por menores de edad, excepto que los mismos estén bajo la estricta observación o sean debidamente instruidos por las personas responsables de su seguridad.
23. Los niños siempre deberán estar vigilados para que no jueguen con el expositor.
24. El expositor está concebido sólo para su uso doméstico. No puede colocarse cerca de un chorro de agua, y en ningún caso se puede limpiar con un hidrolavador a presión.
25. Para garantizar una operación segura del expositor, el mismo se deberá montar y conectar tal como se describe en el presente manual.
26. Los trabajos de reparación y mantenimiento sólo pueden ser llevados a cabo por un técnico cualificado, o por parte de un servicio técnico.
27. No insertar en este aparato material explosivo, por ejemplo depósitos de aerosol con gas inflamable.

MONTAJE

- Desempaque el aparato. Retire por completo las láminas protectoras de plástico y capas protectoras de todas las superficies. Para evitar lesiones personales y daños en el expositor, el desempaque y montaje deberán ser realizados por dos personas.
- Instale el Aparato con una separación mínima de 20 cm (7 pulgadas) respecto de la pared o de otros objetos, para garantizar suficiente ventilación. Aumente la distancia si el objeto vecino incluye una fuente de calor.
- Ajuste el expositor por medio de los pies enroscables. Para evitar vibraciones y formación de ruidos, el aparato deberá instalarse sobre una base plana y firme, o sobre un zócalo especial.
- La temperatura del ambiente en el momento de la instalación debe estar entre 10 y 32°C (clase climática: 4). El expositor no podrá ser sometido a radiación solar directa. No podrá haber fuentes de calor directas, como por ejemplo un horno o un calefactor.
- Asegúrese de que la ventilación del expositor funcione adecuadamente.
- La alimentación de corriente y la tensión de red deberá coincidir con las indicaciones en el letrero de datos técnicos del aparato. El tomacorriente deberá ser accesible después de la instalación.
- Enchufe y desenchufe la clavija correctamente. La clavija de enchufe deberá enchufarse firmemente en el tomacorrientes. Al desenchufar, sostenga el tomacorrientes con una mano y tire de la clavija de enchufe con la otra mano. Nunca tire del cable para retirar el enchufe.
- Cuando el aparato no se utilice por un tiempo prolongado, desconéctelo y desenchúfelo. Limpie el expositor y abra las puertas y tapa para evitar que se formen olores.

MONTAJE

- ¡Importante! Para su seguridad, cuide que el expositor esté adecuadamente conectado a tierra. El cable de este expositor incluye un cable a tierra y una fi cha tipo Schuko. Enchufar en una toma de corriente correctamente instalada y conectada a tierra. Consulte a un electricista cualifi cado o al servicio técnico si no están claras las ordenanzas de conexión a tierra. Si tuviese dudas respecto a la correcta conexión a tierra, permita que un electricista cualifi cado revise el circuito eléctrico.
- Si el cable de corriente no llega hasta el enchufe más próximo, deberá cambiar el lugar de instalación, o bien solicitarle a un electricista que instale un enchufe en las cercanías del artefacto.
- En caso de corte de corriente, espere como mínimo 3 minutos antes de volver a conectar el expositor, para evitar dañar el compresor.

Montaje de los cristales



¡ATENCIÓN! LOS CRISTALES SON FRÁGILES.

Observación: Cuide que los orifi cios de recepción para las espigas roscadas en el manguito estén orientados hacia dentro.

Observación: El orifi cio más alejado del borde del cristal deberá estar orientado hacia el reverso del expositor.

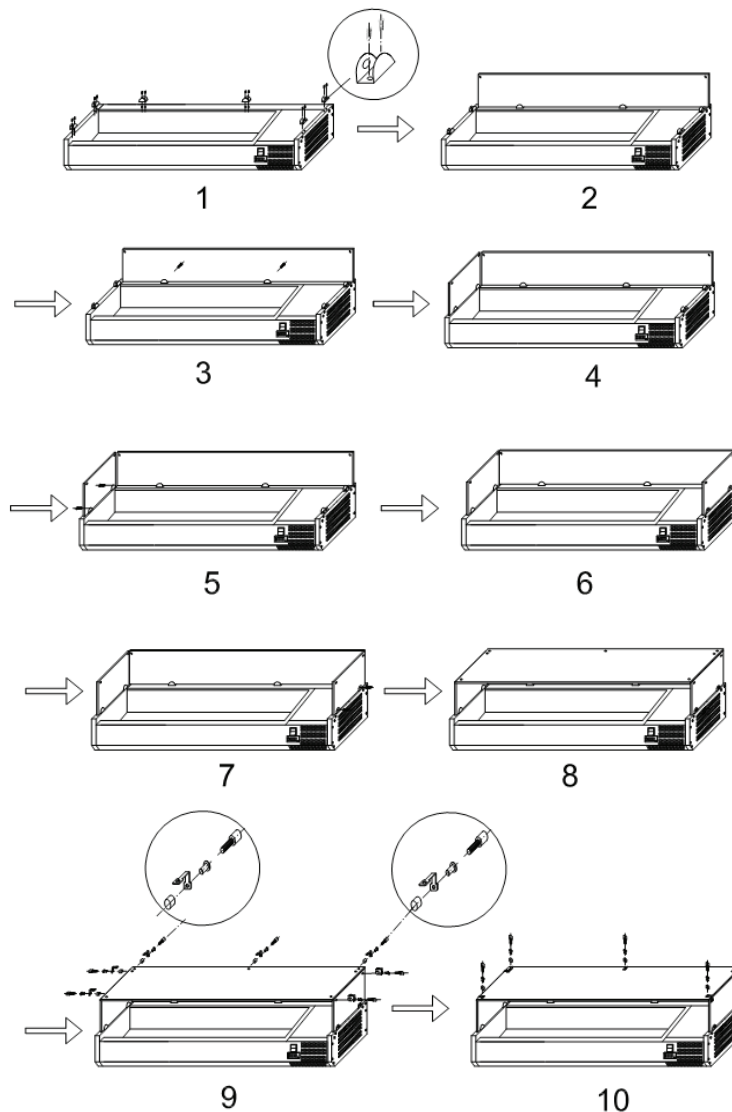
Observación: Cuide que sólo el extremo blando de las espigas roscadas haga contacto con los cristales.

Atención: El extremo romo de los tornillos se encuentra en la cara exterior del cristal.

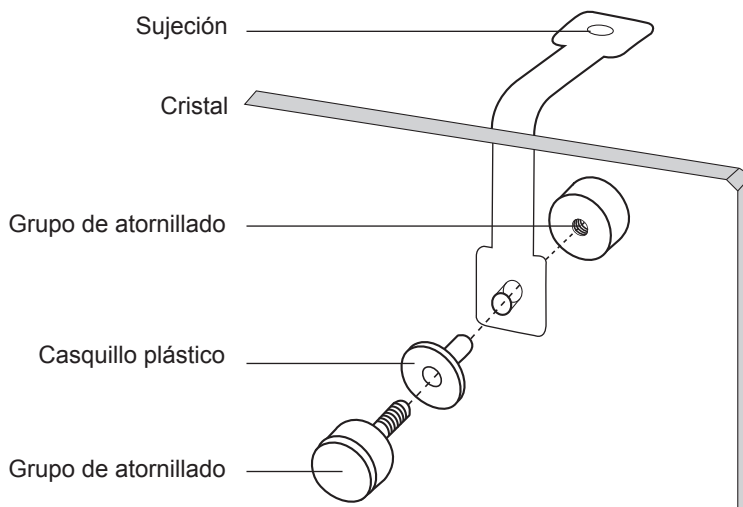
Observación: Los cristales no se pueden utilizar como superfi cies de apoyo.

- Desempaque la caja de madera y el cartón con cuidado. Recorra a otra persona para ayuda.
- Atornille los manguitos a los bordes del aparato.
- Inserte las paredes laterales de cristal en los manguitos. Los orifi cios de recepción en los cristales deberán apuntar hacia arriba.
- Para fi jar los cristales, atornille una espiga roscada en cada manguito.
- Inserte las paredes traseras de cristal en los manguitos. Los orifi cios de recepción en los cristales deberán apuntar hacia arriba.
- Para fi jar los cristales, atornille una espiga roscada en cada manguito.
- En cada orifi cio inserte un casquillo plástico.
- Atornille la sujeción con ayuda del grupo de atornillado en el interior de los cristales.
- Coloque el cristal superior en la sujeción y coordine los orifi cios entre sí.
- Inserte en cada orifi cio un casquillo de plástico y fi je el cristal superior con los tornillos en las sujeciones.

Instrucciones de instalación de las placas de vidrio



MONTAJE



ES

FUNCIONAMIENTO

Conservación de los alimentos

Siga estas indicaciones para obtener los mejores resultados:

- Llene el aparato con alimentos una vez haya alcanzado la temperatura de funcionamiento recomendada.
- Los recipientes deben estar siempre colocados en los huecos provistos, incluso cuando no se van a utilizar. Si retira los recipientes, se reduce en gran medida la capacidad de rendimiento del aparato.
- Cierre siempre la puerta, tapa o cajón cuando no se esté usando.
- No coloque comida o líquido caliente sin cubrir dentro del aparato.
- Los alimentos deben estar siempre bien envasados o tapados.
- Los ventiladores de la parte interna del aparato no deben estar bloqueados.
- Evite abrir las puertas/cajones durante periodos prolongados de tiempo.
- La carga máxima para una estantería/cajón es de 20 kg.
- Los alimentos que están en el arcón o en exposición deben estar dentro de recipientes. No se deben guardar sin envasar.
- A la hora del llenado con alimentos frescos y hortalizas es normal la formación de escarcha en la superficie de la vitrina.

Puesta en funcionamiento del aparato

- Cierre la puerta/tapa/cajón del aparato.
- Asegúrese de que el interruptor de encendido está en [O] y la toma está encendida.
- Coloque el interruptor de encendido en la posición [I]. Se mostrará la temperatura actual del interior del aparato.
- El símbolo * parpadea en el panel de control durante 3 min. para indicar el retraso de ciclo anticortocircuito entre la parada del compresor del motor y el siguiente reinicio..

Abra/cierre la tapa o cajón

PRECAUCIÓN: la tapa deslizante no dispone de ningún mecanismo de cierre con llave. La tapa deslizante debe estar siempre en posición "medio abierta" antes de abrir completamente la tapa.

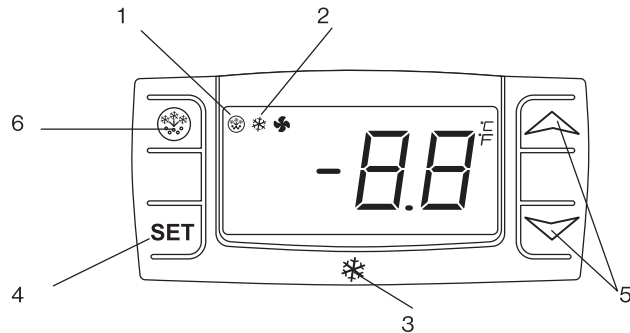
PRECAUCIÓN: no tire del cajón completamente a su posición abierta para evitar daños.

La tapa de la Saladette GSA se puede ajustar de varias formas:

- Vuelva a colocar la tapa cerrada en posición "medio abierta". De esta forma, se pueden colocar los recipientes.
- Abra la tapa hacia arriba hasta que la bisagra encaje en la ranura del tope.
- Coloque la tapa totalmente hacia atrás hasta que los recipientes queden completamente accesibles.

Regulación y control de la temperatura El termostato

ES



1. Luces de descongelación
2. Luz de funcionamiento del compresor
3. Termostato digital
4. Tecla de programación (sólo técnico de servicio)
5. Teclas para la regulación de la temperatura
6. Descongelación manual

Lectura de la temperatura

- Presione brevemente la tecla **SET** una vez. Se mostrará la temperatura.
- Presione la tecla **SET** nuevamente o espere 15 segundos. Se vuelve a mostrar el indicador de funcionamiento normal.

Modificación de la temperatura

- Mantenga presionada la tecla **SET** durante más de dos segundos para mostrar un valor nuevo.
- Se mostrará la temperatura y el símbolo "°C" comenzará a parpadear.
- Para modificar el valor de la temperatura, presione la flecha „^” (arriba) o „v” (abajo) durante 10 segundos.
- Para memorizar la nueva temperatura, presione la tecla **SET** o espere 10 segundos.

Descongelación manual

El aparato se descongela automáticamente cada hora.

Observación: el interruptor de tiempo de descongelación se inicia al poner en funcionamiento el aparato por primera vez.

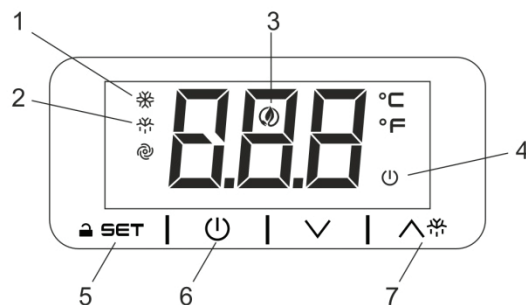
Para descongelar manualmente el aparato, siga estos pasos:

- Mantenga presionada la tecla **DESCONGELACIÓN** (símbolo de nieve) durante 5 segundos.
- El proceso de descongelación comienza inmediatamente y se enciende el indicador de Descongelación. La descongelación dura 20 minutos.

Observación: si la descongelación es manual, el interruptor de tiempo de descongelación se vuelve a colocar en cero. El siguiente proceso de descongelación automática se programa 12 horas después de la descongelación manual.

FUNCIONAMIENTO

Ajuste e control de temperatura Panel frontal del termostato



1. Luz de compresor activo
2. Luz deshielo activo
3. Luz ahorro energético activo
4. Luz de stand-by
5. Tecla de programación (mantenimiento solamente)
6. Equipo ON (encendido)/Stand-by (mantener presionado)
7. Deshielo manual (mantener presionado)

Desbloquear el teclado (mensaje «Loc»)

- Presionando cualquier botón durante más de 2", aparecerá el mensaje «UnL» y se desbloqueará el teclado.

Nota: por motivos de seguridad, el teclado se bloquea automáticamente después de 30" de inactividad de las teclas. Para ejecutar cualquier operación, primero desbloquear el teclado.

Visualizar y modificar el set point

- Presionar brevemente la tecla **SET**, se visualizará el set point y empezará a parpadear;
- Para modificar el valor, presionar la flecha \wedge o \vee dentro de 20".
- Para memorizar el nuevo set point, presionar nuevamente la tecla **SET** o aguardar 20".

Deshielo manual

El equipo empezará automáticamente un ciclo de deshielo a cada 12 horas.

Nota: el ciclo empieza desde el encendido inicial del equipo.

Para efectuar el deshielo manual:

- Mantener presionada la tecla \wedge por 3".
- El ciclo de deshielo empezará inmediatamente y el LED \star se encenderá. El deshielo tendrá una duración de 20 minutos.

Nota: la activación manual del deshielo reinicializa el timer del deshielo automático. El próximo deshielo automático empezará 12 horas después de iniciar el deshielo manual.

Cambiar el estado del equipo entre ON (encendido)/STAND-BY

- Mantener presionada la tecla \cup durante 4"; el equipo pasará desde el estado ON (encendido) para STAND-BY y vice-versa. Al mantener presionada la tecla, el LED \cup estará parpadeando para visualizar el cambio de estado.

LIMPIEZA, CUIDADO Y MANTENIMIENTO

Mantenimiento de rutina

Antes de limpiar el expositor, desconéctelo y desenchúfelo.

- Limpie la carcasa y el interior del aparato con la mayor frecuencia posible.
- Limpie el artefacto con un paño humedecido. Evite mojar el interruptor, panel de mando, cable y enchufe.
- Para la limpieza no utilice ningún detergente agresivo. Esto podría dejar residuos nocivos. Utilice sólo agua jabonosa suave.
- Evite que el agua de limpieza penetre en los componentes eléctricos.
- Nunca limpie el expositor con un chorro de agua.
- Tras la limpieza, frote el aparato con un paño seco y suave.
- Limpie el reverso del expositor con cuidado.
- Las reparaciones deberán ser realizadas por un técnico cualificado, o por parte de un servicio al cliente.
- Cuando el expositor no se utilice por un tiempo prolongado, desconéctelo, desenchúfelo y ponga el interruptor de potencia en la posición APAGADO. Vacíe todas las particiones y limpie el expositor por completo.

Mantenimiento especial

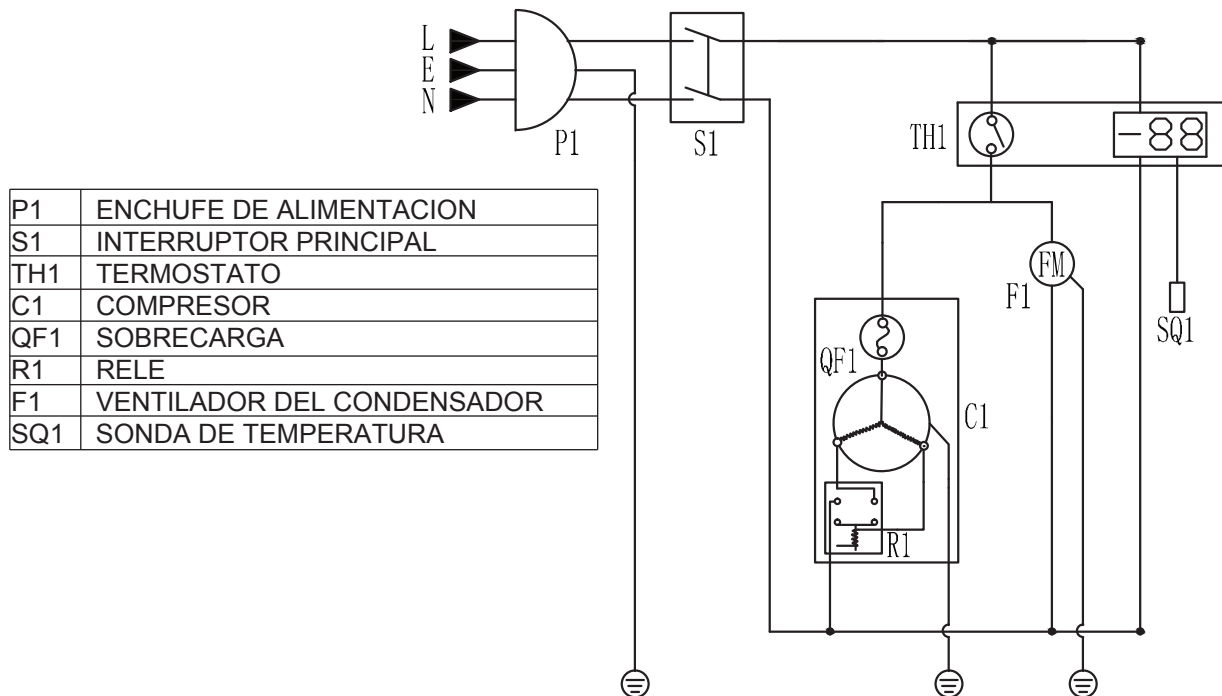
Las siguientes indicaciones serán válidas para los técnicos especializados.

Procedimiento regular

- Limpie el condensador con regularidad con un medio adecuado (aspiradora o cepillo suave).
- Las conexiones eléctricas no pueden quedar sueltas.
- Revise que el termostato y el sensor funcionen correctamente.
- De ser necesario, haga que un técnico especializado limpie el condensador.

ES

ESQUEMA DE CONEXIONES



DATOS TÉCNICOS

MODELO	PORENCIA NOMINAL V/Hz	CLASE CLIMATICA	RANGO DE TEMP °C	REFRIGERANT	REF. CARGA g	POWE W	CURRENT A	LITROS NETOS	DIMENSION mm (WxDxH)	PESO NETO Kg
VRX1000/330	220-240/50	4	+2~+8	R134a/R600a	65/30	160	1.2	3xGN1/4	955x335x225	34
VRX1000/380	220-240/50	4	+2~+8	R134a/R600a	65/30	160	1.2	2xGN1/3+1xGN1/2	955x395x225	37
VRX1200/330	220-240/50	4	+2~+8	R134a/R600a	75/35	160	1.2	5xGN1/4	1200x335x225	39
VRX1200/380	220-240/50	4	+2~+8	R134a/R600a	75/35	160	1.2	3xGN1/3+1xGN1/2	1200x395x225	43
VRX1300/330	220-240/50	4	+2~+8	R134a/R600a	75/35	160	1.2	5xGN1/4	1300x335x225	41
VRX1300/380	220-240/50	4	+2~+8	R134a/R600a	75/35	160	1.2	5xGN1/3	1300x395x225	45
VRX1400/330	220-240/50	4	+2~+8	R134a/R600a	80/40	160	1.3	6xGN1/4	1400x335x225	42
VRX1400/380	220-240/50	4	+2~+8	R134a/R600a	80/40	160	1.3	6xGN1/3	1400x395x225	46.5
VRX1500/330	220-240/50	4	+2~+8	R134a/R600a	80/40	160	1.3	7xGN1/4	1500x335x225	47
VRX1500/380	220-240/50	4	+2~+8	R134a/R600a	80/40	160	1.3	5xGN1/3+1xGN1/2	1500x395x225	48
VRX1600/330	220-240/50	4	+2~+8	R134a/R600a	80/40	160	1.3	7xGN1/4	1600x335x225	47
VRX1600/380	220-240/50	4	+2~+8	R134a/R600a	80/40	160	1.3	5xGN1/3+1xGN1/2	1600x395x225	51
VRX1800/330	220-240/50	4	+2~+8	R134a/R600a	90/40	160	1.3	8xGN1/4	1800x335x225	48
VRX1800/380	220-240/50	4	+2~+8	R134a/R600a	90/40	160	1.3	8xGN1/3	1800x395x225	51
VRX1900/330	220-240/50	4	+2~+8	R134a/R600a	90/45	160	1.3	9xGN1/4	1900x335x225	51.5
VRX1900/380	220-240/50	4	+2~+8	R134a/R600a	90/45	160	1.3	7xGN1/3+1xGN1/2	1900x395x225	55.5
VRX2000/330	220-240/50	4	+2~+8	R134a/R600a	95/45	160	1.3	10xGN1/4	2000x335x225	53.5
VRX2000/380	220-240/50	4	+2~+8	R134a/R600a	95/45	160	1.3	9xGN1/3	2000x395x225	57.5
VRX2200/330	220-240/50	4	+2~+8	R134a/R600a	110/50	160	1.3	11xGN1/4	2200x335x225	55
VRX2200/380	220-240/50	4	+2~+8	R134a/R600a	110/50	160	1.3	10xGN1/3	2200x395x225	59
VRX2500/330	220-240/50	4	+2~+8	R134a/R600a	110/50	160	1.3	12xGN1/4	2500x395x225	59
VRX2500/380	220-240/50	4	+2~+8	R134a/R600a	110/50	160	1.3	11xGN1/3	2500x395x225	62
VRX1000/330 LID	220-240/50	4	+2~+8	R134a/R600a	65/30	160	1.2	3xGN1/4	955x335x225	26
VRX1000/380 LID	220-240/50	4	+2~+8	R134a/R600a	65/30	160	1.2	2xGN1/3+1xGN1/2	955x395x225	29
VRX1200/330 LID	220-240/50	4	+2~+8	R134a/R600a	75/35	160	1.2	5xGN1/4	1200x335x225	30
VRX1200/380 LID	220-240/50	4	+2~+8	R134a/R600a	75/35	160	1.2	3xGN1/3+1xGN1/2	1200x395x225	34
VRX1300/330 LID	220-240/50	4	+2~+8	R134a/R600a	75/35	160	1.2	5xGN1/4	1300x335x225	31
VRX1300/380 LID	220-240/50	4	+2~+8	R134a/R600a	75/35	160	1.2	5xGN1/3	1300x395x225	34
VRX1400/330 LID	220-240/50	4	+2~+8	R134a/R600a	80/40	160	1.3	6xGN1/4	1400x335x225	31.5
VRX1400/380 LID	220-240/50	4	+2~+8	R134a/R600a	80/40	160	1.3	6xGN1/3	1400x395x225	36.5
VRX1500/330 LID	220-240/50	4	+2~+8	R134a/R600a	80/40	160	1.3	7xGN1/4	1500x335x225	31.5
VRX1500/380 LID	220-240/50	4	+2~+8	R134a/R600a	80/40	160	1.3	5xGN1/3+1xGN1/2	1500x395x225	37
VRX1600/330 LID	220-240/50	4	+2~+8	R134a/R600a	80/40	160	1.3	7xGN1/4	1600x335x225	36
VRX1600/380 LID	220-240/50	4	+2~+8	R134a/R600a	80/40	160	1.3	5xGN1/3+1xGN1/2	1600x395x225	39
VRX1800/330 LID	220-240/50	4	+2~+8	R134a/R600a	90/40	160	1.3	8xGN1/4	1800x335x225	34
VRX1800/380 LID	220-240/50	4	+2~+8	R134a/R600a	90/40	160	1.3	8xGN1/3	1800x395x225	41
VRX1900/330 LID	220-240/50	4	+2~+8	R134a/R600a	90/45	160	1.3	9xGN1/4	1900x335x225	38
VRX1900/380 LID	220-240/50	4	+2~+8	R134a/R600a	90/45	160	1.3	7xGN1/3+1xGN1/2	1900x395x225	42.5
VRX2000/330 LID	220-240/50	4	+2~+8	R134a/R600a	95/45	160	1.3	10xGN1/4	2000x335x225	40
VRX2000/380 LID	220-240/50	4	+2~+8	R134a/R600a	95/45	160	1.3	9xGN1/3	2000x395x225	43
VRX2200/330 LID	220-240/50	4	+2~+8	R134a/R600a	110/50	160	1.3	11xGN1/4	2200x335x225	40.5
VRX2200/380 LID	220-240/50	4	+2~+8	R134a/R600a	110/50	160	1.3	10xGN1/3	2200x395x225	41
VRX2500/330 LID	220-240/50	4	+2~+8	R134a/R600a	110/50	160	1.3	12xGN1/4	2500x335x225	45
VRX2500/380 LID	220-240/50	4	+2~+8	R134a/R600a	110/50	160	1.3	11xGN1/3	2500x395x225	47



ATENCIÓN: AL UTILIZAR EL REFRIGERANTE COMBUSTIBLE R600a, EXISTE RIESGO DE FUEGO Y EXPLOSIÓN.



Advertencia para la protección del medio ambiente

I dispositivi elettrici vecchi possono contenere sostanze dannose per l'ambiente e quindi non devono essere smaltiti come rifiuti domestici. Siete pertanto pregati di consegnare l'apparecchio esausto presso gli appositi centri di raccolta o presso i centri autorizzati al ritiro al fine di proteggere l'ambiente.



DETECCIÓN Y REPARACIÓN DE FALLOS

Si su artefacto presenta fallos de funcionamiento, revise los siguientes puntos:

Función fallida	Posible causa	Ayuda
El expositor no funciona	El artefacto no está encendido	Verifi que que el artefacto esté enchufado y encendido
	El expositor y cable están dañados	Póngase en contacto con un servicio al cliente o un técnico cualificado
	El fusible del cable se ha quemado	Cambie el fusible (GB)
	Conexión a la corriente	Revise la conexión a la corriente
	Cableado interno defectuoso	Póngase en contacto con un servicio al cliente o un técnico cualificado
El aparato se puede encender, pero la temperatura es demasiado alta/baja	Demasiado hielo en el vaporizador	Descongele el aparato
	El condensador está sucio de polvillo	Póngase en contacto con un servicio al cliente o un técnico cualificado
	El expositor se encuentra en las cercanías de una fuente de calor, o la corriente de aire al condensador se ha interrumpido	Escoja un sitio de instalación para el aparato más adecuado
	La temperatura ambiente es demasiado alt	Procure una mejor ventilación, o escoja un lugar de instalación más fresco para el expositor
	Alimentos inadecuados almacenados en el expositor	Retire los alimentos demasiado calientes; el ventilador no puede quedar bloqueado
	El expositor está demasiado lleno	Reduzca la cantidad de alimentos almacenados
El expositor está demasiado ruidoso	Tuercas o tornillos flojos	Revise los tornillos y tuercas, de ser necesario apriéte los
	El artefacto no está instalado estable y plano	Revise el lugar de instalación y de ser necesario cámbielo
	El dispositivo recolector desborda	Vacíe el dispositivo recolector

GARANTÍA

Para este producto rige la garantía legal.

Las reclamaciones se deberán efectuar inmediatamente después de constatadas.

El derecho a reclamación se extingue si el comprador o un tercero manipulan agresivamente el aparato. Los daños resultantes de una manipulación o utilización inapropiada, por colocación o almacenamiento erróneo, por conexión o instalación inadecuada, o por causa de fuerza mayor u otras influencias externas, no quedan incluidos en la garantía. Recomendamos leer atentamente el Manual del Usuario, pues el mismo contiene importantes indicaciones.

El comprador deberá justifi car su derecho a garantía presentando la factura de compra.

Advertencias:

1. Si su producto ya no funciona correctamente, entonces verifi que primeramente todos los motivos posibles, como por ejemplo la interrupción de corriente o manipulación errónea.
 2. Procure que su producto defectuoso vaya acompañado de los siguientes documentos correspondientes a cada caso:
 - Factura de compra (imprescindible para ejecutar garantía)
 - Designación / tipo / marca del aparato
 - Descripción de la avería que haya tenido lugar, con indicación lo más detallada posible.
- En caso de reclamación por garantía o averías, por favor diríjase personalmente a su distribuidor.

Gentile Cliente,

Grazie per aver acquistato questo prodotto . Come tutti i prodotti, questo dispositivo è stato sviluppato secondo le tecnologie più recenti ed è stato prodotto utilizzando componenti elettrici affidabili e moderni.

Prima di utilizzare il dispositivo leggere attentamente il presente manuale.

Grazie.

IT

INDICE

Norme di sicurezza.....	42~44
Montaggio.....	44~46
Funzionamento.....	46~48
Pulizia / cura e manutenzione.....	49
Schaltplan.....	49
Dati tecnici.....	50
Soluzione dei problemi.....	51
Garanzia.....	51

NORME DI SICUREZZA



Importante: prima di mettere in funzione l'apparecchio, leggere attentamente le istruzioni accluse per la propria incolumità personale. Conservare con cura le istruzioni per possibili consultazioni future.

Il luogo di installazione dell'apparecchio deve essere piatto e stabile. Il montaggio e gli eventuali interventi di riparazione devono essere eseguiti da un centro di assistenza o da un tecnico qualificato. Non rimuovere mai di propria iniziativa componenti o altre parti dell'apparecchio.

NORME DI SICUREZZA

L'apparecchio deve essere conforme alle disposizioni locali vigenti nelle seguenti materie:

1. Standard sanitari e di sicurezza sul luogo di lavoro.
2. Normativa antincendio.
3. IEE – Prescrizioni sulle linee elettriche.
4. Regolamento edilizio.
5. Dispositivo destinato esclusivamente a uso commerciale.
6. **NON** usare l'apparecchio in esterni.
7. **NON** effettuare mai da soli lavori di manutenzione su questo apparecchio.
8. **NON** usare l'apparecchio se risulta danneggiato. In caso di dubbio, rivolgersi al proprio Servizio di Assistenza Tecnica.
9. Non utilizzare assolutamente altri apparecchi elettrici all'interno di questo apparecchio (es. riscaldatori, gelatiere), a meno che non siano espressamente autorizzati dal produttore.
10. Fare attenzione a non ostruire le feritoie di ventilazione presenti sul supporto o incorporate nell'apparecchio.
11. **NON** utilizzare assolutamente mezzi meccanici o di altra natura per accelerare lo sbrinamento dell'apparecchio (a meno che non siano espressamente autorizzati dal produttore).
12. **NON** danneggiare il circuito frigorifero dell'apparecchio.
13. **NON** appoggiarsi o aggrapparsi al dispositivo e alle lastre di vetro.
14. Far attenzione a **NON** mettere a contatto con oli e grassi i componenti plastici. Pulire bene se necessario.
15. Non conservare **MAI** nell'apparecchio materiali infiammabili, esplosivi o volatili, sostanze corrosive, alcaline o altri liquidi.
16. Non conservare assolutamente medicinali in questo apparecchio.
17. Non pulire **MAI** l'apparecchio con un'idropulitrice.
18. Non lasciar giocare i bambini con i materiali dell'imballo. Smaltire gli involucri di plastica secondo le norme di legge.



NORME DI SICUREZZA

19. Trasportare, spostare e mettere in funzione il dispositivo evitando di inclinarlo. Non cercare di spostare il dispositivo tirandolo dal cavo di alimentazione.
20. Prima di pulire l'apparecchio, spegnerlo sempre ed estrarre la spina di alimentazione dalla presa elettrica.
21. Qualora la spina di alimentazione si danneggiasse, essa deve essere immediatamente sostituita dal produttore, da un centro di assistenza autorizzato o da un tecnico qualificato.
22. Questo apparecchio non deve essere usato da persone con ridotte capacità di intendere e volere, o prive di esperienza o di conoscenze, o ancora da minorenni, a meno che non siano sorvegliati da una persona responsabile della loro sicurezza o ricevano da essa istruzioni circa il suo utilizzo corretto.
23. I bambini devono essere sorvegliati affinché non giochino con l'apparecchio.
24. Questo apparecchio è esclusivamente idoneo all'utilizzo in ambienti chiusi. Esso non deve essere installato in prossimità di getti d'acqua e non deve essere assolutamente pulito con un'idropulitrice.
25. Per garantire un utilizzo sicuro dell'apparecchio, esso deve essere montato e installato come descritto in queste istruzioni.
26. La riparazione e gli eventuali interventi di manutenzione devono essere esclusivamente eseguiti da un centro di assistenza o da un tecnico qualificato.
27. Non posizionare nel dispositivo sostanze esplosive, ad esempio diffusori di aerosol con gas propulsore.

MONTAGGIO

- Disimballare l'apparecchio. Rimuovere integralmente i fogli di plastica e i rivestimenti protettivi da tutte le superfici. Per evitare lesioni e prevenire danni all'apparecchio, esso dovrebbe essere disimballato e montato da due persone.
- Assicurarci di lasciare una distanza di sicurezza di 20 cm (7 pollici) tra l'apparecchio e la parete o gli altri oggetti, per garantire una sufficiente aerazione. Aumentare la distanza di sicurezza qualora l'oggetto adiacente costituisse una fonte di calore.
- Livellare il dispositivo a terra regolando i piedini a vite. Per evitare vibrazioni e rumori, l'apparecchio deve essere installato su una superficie piana e stabile o su uno speciale zoccolo.
- La temperatura ambiente del luogo di installazione deve essere compresa fra 10 e 32 °C (classe climatica: 4). L'apparecchio non deve essere esposto ai raggi diretti del sole. Nelle immediate vicinanze non devono essere presenti fonti di calore come un forno o un termosifone.
- Assicurarci che l'impianto di ventilazione dell'apparecchio funzioni regolarmente.
- Corrente e tensione di alimentazione devono corrispondere a quelle indicate nella targhetta identificativa dell'apparecchio. Una volta installato l'apparecchio, la presa di rete deve essere facilmente accessibile.
- Inserire ed estrarre la spina di alimentazione in modo corretto. La spina di alimentazione deve essere sempre bene inserita nella presa. Per scollegare l'apparecchio. Si raccomanda di tirare la spina e mai il cavo di alimentazione.
- Se l'apparecchio rimane inutilizzato per un periodo prolungato, spegnerlo ed estrarre la spina di alimentazione.
- Pulire l'apparecchio e aprire porte e coperchio per impedire la formazione di cattivi odori.

MONTAGGIO

- Importante! Per la propria sicurezza, assicurarsi che l'apparecchio sia correttamente installato! Il cavo elettrico è dotato di messa a terra e di una spina di tipo Schuko.
- Collegare la spina di alimentazione ad una presa elettrica correttamente installata e messa a terra. Se le istruzioni per la messa a terra non risultano chiare, chiedere consiglio a un elettricista qualificato o ad un centro di assistenza tecnica. Se sussistono dubbi sulla messa a terra dell'apparecchio, far verificare il circuito elettrico da un elettricista qualificato.
- Se il cavo di alimentazione non arriva alla presa di corrente più vicina, cambiare il luogo di installazione o far installare da un tecnico qualificato una presa in prossimità dell'apparecchio.
- In caso di interruzione di corrente, attendere almeno 3 minuti prima di ricollegare l'apparecchio alla rete, per evitare danni al compressore.

Montaggio delle lastre di vetro



ATTENZIONE! LE LASTRE DI VETRO SONO FRAGILI.

Nota: accertarsi che i fori per l'incastro delle viti senza testa, sulla guarnizione, siano rivolti verso l'interno.

Nota: il foro che si trova più lontano dallo spigolo della lastra di vetro deve essere posizionato sul retro dell'apparecchio.

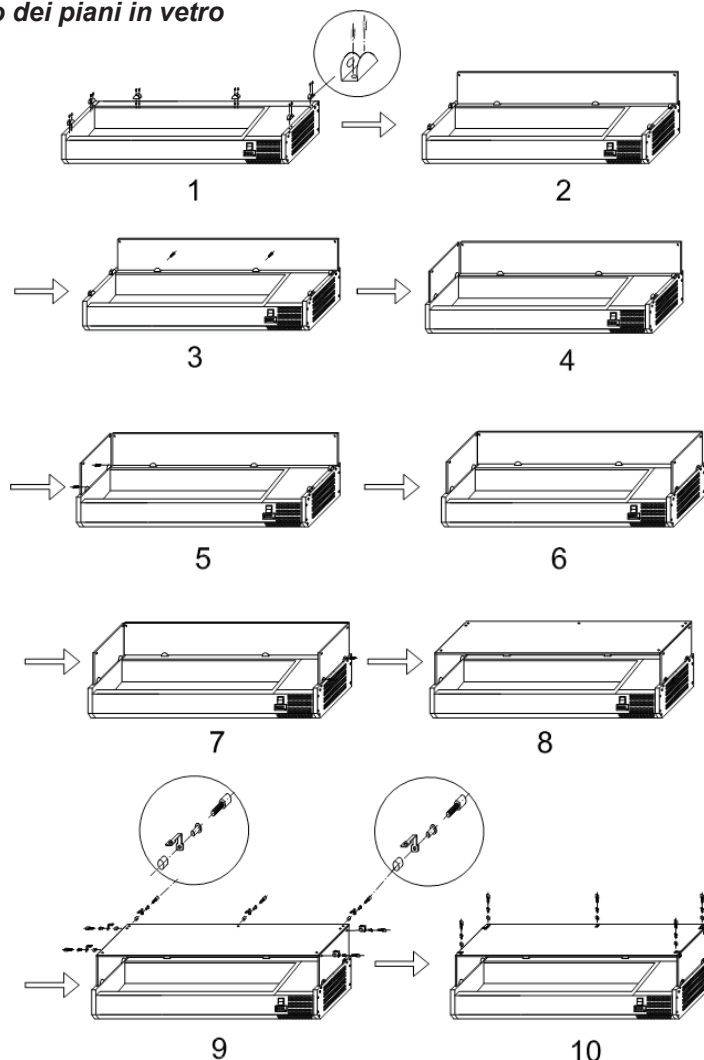
Nota: fare in modo che solo il lato morbido delle viti senza testa venga in contatto con le lastre di vetro.

Nota: l'estremità smussata delle viti deve trovarsi sul lato esterno della lastra di vetro.

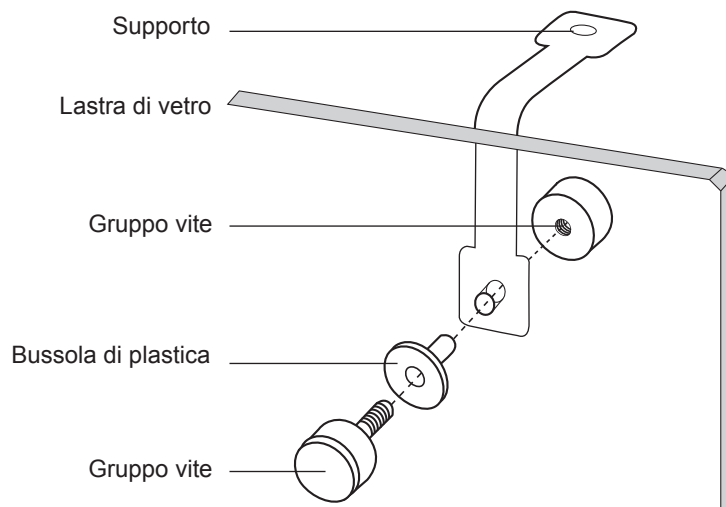
Nota: le lastre di vetro non devono essere utilizzate come piano di appoggio.

- Disimballare con cautela la cassa di legno e il cartone. E' opportuno chiedere l'aiuto di un'altra persona.
- Avvitare le guarnizioni sui bordi dell'apparecchio.
- Spingere entrambe le pareti laterali di vetro nelle guarnizioni, con i fori di incastro nelle lastre di vetro verso l'alto.
- Avvitare una vite senza testa in ogni guarnizione per fissare le lastre di vetro.
- Spingere la lastra posteriore di vetro nelle guarnizioni, con i fori di incastro verso l'alto.
- Avvitare una vite senza testa in ogni guarnizione per fissare le piastre di vetro.
- Inserire una bussola di plastica in ogni foro.
- Servendosi del gruppo vite, avvitare il supporto all'interno delle lastre di vetro.
- Collocare la lastra superiore sul supporto, facendo combaciare i fori tra loro.
- Inserire in ogni foro una bussola di plastica e fissare la lastra superiore ai supporti mediante le viti.

Istruzioni di montaggio dei piani in vetro



MONTAGGIO



FUNZIONAMENTO

Conservazione di alimenti

Rispettare le seguenti norme per ottenere il risultato migliore:

- Inserire nell'apparecchio gli alimenti solo quando il dispositivo ha raggiunto la temperatura di esercizio prevista.
- Il contenitore GN deve trovarsi sempre nell'apposito vano, anche quando il contenitore non viene utilizzato. Rimuovendo il contenitore GN si riduce di molto l'efficienza del dispositivo.
- Controllare che le porte, i cassetti e i coperchi siano sempre chiusi.
- Non mettere mai liquidi non coperti e caldi nel dispositivo.
- Gli alimenti devono essere sempre ben sigillati e coperti.
- I ventilatori all'interno del dispositivo non devono essere ostruiti.
- Le porte/cassetti del dispositivo non possono rimanere aperte per lunghi periodi di tempo.
- Il limite previsto per il carico massimo di uno scaffale/cassetto è 20 kg.
- Gli alimenti devono essere inseriti in un contenitore prima di essere posizionati all'interno del dispositivo. Gli alimenti non devono essere posizionati a diretto contatto con le superfici del dispositivo.
- Durante il riempimento con verdure o alimenti freschi è normale la formazione di gelo sulla superficie della vetrina.

Accensione del dispositivo

- Chiudere le porte/cassetti dell'apparecchio.
- L'interruttore di rete deve essere in posizione [O]. Inserire la spina di rete in una presa idonea.
- Regolare l'interruttore di rete in posizione [I]. La temperatura presente all'interno viene visualizzata.
- Sul campo comandi lampeggia il simbolo per i minuti per il ritardo tra la tenuta del compressore e un nuovo avvio.

Aprire / Chiudere coperchi/cassetti

AVVERTENZA: Il coperchio scorrevole non è dotato di un meccanismo di chiusura. Il coperchio deve essere sempre in posizione "intermedia" prima di aprire completamente il coperchio.

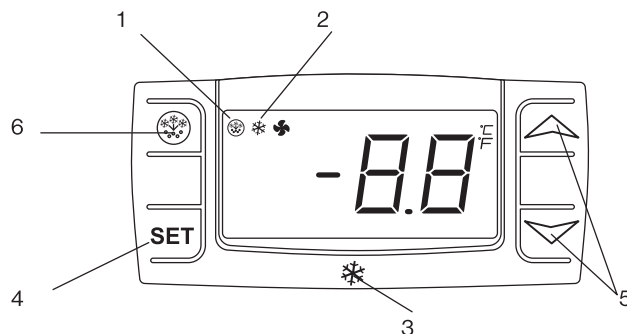
AVVERTENZA: la preghiamo di non esercitare pressione sui cassetti per evitare possibili incidenti.

Il coperchio della saladette GSA è a più posizioni:

- Con il coperchio chiuso far scivolare il pannello nella posizione "intermedia". In tal modo vi è parziale accesso ai contenitori GN.
- Aprire e chiudere il coperchio fin al corretto posizionamento.
- Alzare e spostare completamente il coperchio all'indietro affinché i contenitori GN non siano completamente accessibili.

Regolazione e controllo della temperatura

Pannello frontale del termostato



1. Spia di scongelamento
2. Spia di esercizio del compressore
3. Termostato digitale
4. Tasti di programmazione (solo per la manutenzione del dispositivo)
5. Tasti per la regolazione della temperatura
6. Scongelamento manuale

Letture della temperatura

- Premere una volta il tasto di **IMPOSTAZIONE**. Viene visualizzata la temperatura.
- Premere il tasto di **IMPOSTAZIONE** nuovamente o attendere 15 secondi per ritornare alla visualizzazione normale.

Modifica della temperatura

- Tenere premuto il tasto di **IMPOSTAZIONE** per più di due secondi per impostare un nuovo valore.
- Il valore della temperatura viene visualizzato e „°C“ inizia a lampeggiare.
- Per modificare il valore della temperatura premere i tasti freccia „^“ (su) o „v“ (giù) entro 10 secondi.
- Per memorizzare il nuovo valore della temperatura, premere il tasto di **IMPOSTAZIONE** o attendere 10 secondi.

Scongelamento manuale

Il dispositivo esegue automaticamente un ciclo di scongelamento ogni 12 ore.

Nota: Il timer di scongelamento si avvia con la prima messa in funzione del dispositivo.

Per lo scongelamento manuale procedere come segue:

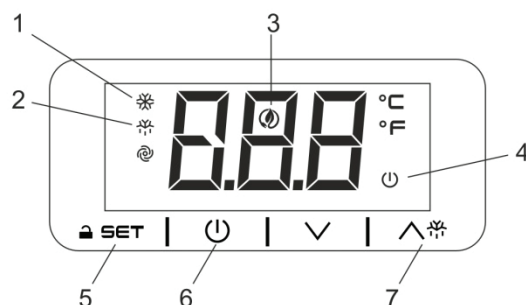
- Tener premuto il tasto **SCONGELAMENTO** (simbolo di neve) per 5 secondi.
- Il processo di scongelamento ha inizio immediatamente e il LED di scongelamento si accende. Lo scongelamento dura 20 minuti.

Nota: In caso di scongelamento manuale il timer di scongelamento si azzerava automaticamente. Il successivo processo di scongelamento avviene 12 Ore dopo lo scongelamento manuale.

FUNZIONAMENTO

Impostazione e controllo della temperatura Il pannello frontale del termoregolatore

IT



1. LED funzionamento compressore
2. LED funzionamento sbrinamento
3. LED funzionamento Energy Saving
4. LED Stand-by
5. Tasto di programmazione (solo per Service)
6. Tasto Accensione/Spengimento macchina (tenere premuto)
7. Tasto sbrinamento manuale (tenere premuto)

Come sbloccare la tastiera (messaggio «Loc»)

- Tenere premuto per 2s qualsiasi pulsante.
«UnL» apparirà a display e la tastiera sarà sbloccata.

Nota: per ragioni di sicurezza la tastiera si blocca automaticamente dopo 30s di inattività sui tasti.
Per eseguire qualsiasi operazione, sbloccare prima la tastiera.

Come vedere e modificare il setpoint di lavoro

- Premi e rilascia il tasto **SET**, il setpoint sarà mostrato e il LED inizierà a lampeggiare;
- Per cambiare il valore premere le frecce o entro 20s.
- Per memorizzare il nuovo setpoint premere nuovamente il tasto **SET** o attendere 20s.

Sbrinamento manuale

La macchina esegue un ciclo di sbrinamento automatico ogni 12 ore.

Nota: il conteggio del ciclo automatico inizia dal momento in cui la macchina viene alimentata.

Per sbrinare manualmente la macchina:

- Tenere premuto per 3s il tasto .
- Il ciclo di sbrinamento inizierà immediatamente ed il LED si accenderà. Lo sbrinamento durerà 20min.

Nota: l'esecuzione di un ciclo manuale azzerà il contatore di sbrinamento automatico.

Il prossimo sbrinamento automatico verrà eseguito 12 ore dopo l'inizio dell'ultimo sbrinamento manuale.

Come accendere / spegnere la macchina

- Tenere premuto per 4s il tasto , la macchina passerà dallo stato ON allo stato STAND-BY e viceversa.
Durante la pressione del tasto il LED lampeggerà per indicare il cambio di stato in corso.

PULIZIA / CURA E MANUTENZIONE

Manutenzione ordinaria

Prima della pulizia, spegnere l'apparecchio e scollegarlo dalla presa di rete.

- Pulire il corpo e l'interno dell'apparecchio il più spesso possibile.
- Lavare l'apparecchio con un panno umido. Fare attenzione che l'interruttore, il pannello comandi, il cavo e la spina di alimentazione non si bagnino.
- Per la pulizia non usare assolutamente detersivi aggressivi. Essi potrebbero lasciare residui nocivi. Utilizzare esclusivamente una blanda miscela di acqua e sapone.
- Fare attenzione che l'acqua di lavaggio non penetri nei componenti elettrici dell'apparecchio.
- Non pulire l'apparecchio con un getto d'acqua.
- Dopo la pulizia, asciugare l'apparecchio con un panno morbido.
- Pulire con cautela il retro dell'apparecchio.
- Le riparazioni devono essere eseguite da un centro di assistenza o da un tecnico qualificato.
- Se l'apparecchio rimane inutilizzato per un periodo prolungato, portare l'interruttore di potenza in posizione OFF ed estrarre la spina di alimentazione. Svuotare tutti gli scomparti e pulire con cura l'apparecchio.

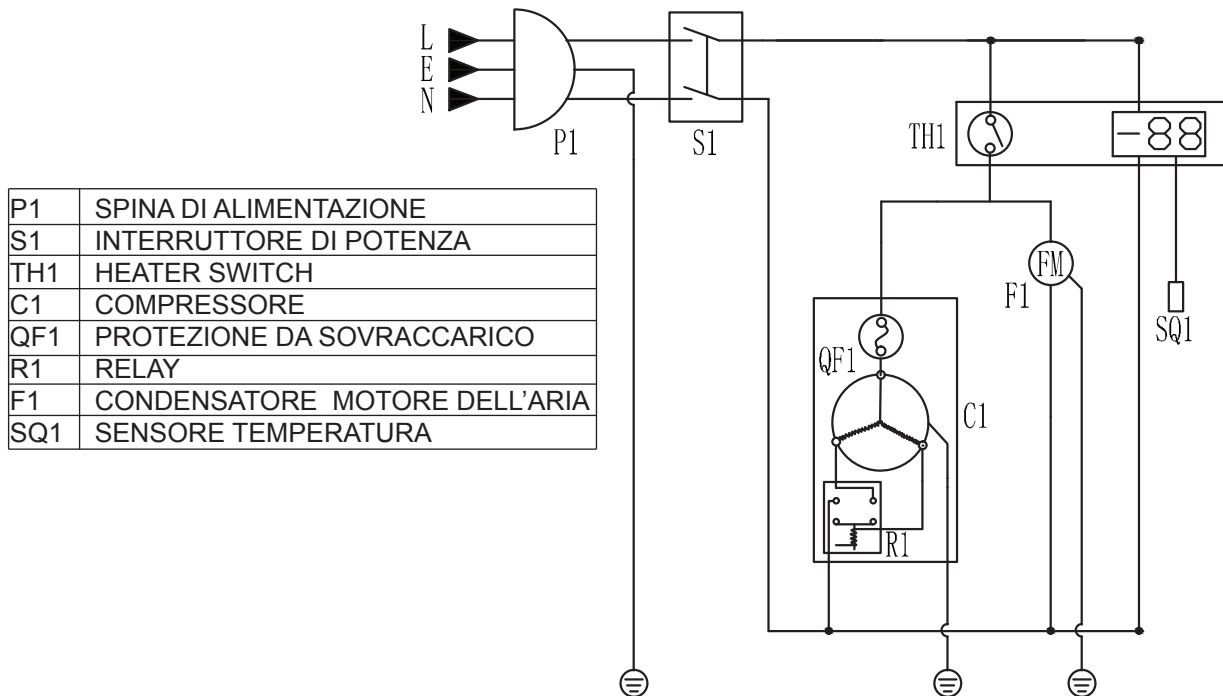
Manutenzione straordinaria

Le seguenti istruzioni si rivolgono ai tecnici professionisti

Operazioni periodiche:

- Pulire regolarmente il condensatore con un mezzo opportuno (un aspirapolvere o una spazzola morbida).
- I collegamenti elettrici non devono risultare allentati.
- Verificare che termostato e sensore funzionino correttamente.
- Eventualmente, far pulire il condensatore da un tecnico qualificato.

SCHALTPLAN



DATI TECNICI

MODELLO	VOLTAGGIO V/Hz	CLASSE CLIMATICA	RANGE TEMP. °C	REFRIGERANTE	QUANTITA REFRIGERANTE g	POWER W	CURRENT A	QUANTITA BACINELLA	DIMENSIONI mm (WxDxH)	PESO Kg
VRX1000/330	220-240/50	4	+2~+8	R134a/R600a	65/30	160	1.2	3xGN1/4	955x335x225	34
VRX1000/380	220-240/50	4	+2~+8	R134a/R600a	65/30	160	1.2	2xGN1/3+1xGN1/2	955x395x225	37
VRX1200/330	220-240/50	4	+2~+8	R134a/R600a	75/35	160	1.2	5xGN1/4	1200x335x225	39
VRX1200/380	220-240/50	4	+2~+8	R134a/R600a	75/35	160	1.2	3xGN1/3+1xGN1/2	1200x395x225	43
VRX1300/330	220-240/50	4	+2~+8	R134a/R600a	75/35	160	1.2	5xGN1/4	1300x335x225	41
VRX1300/380	220-240/50	4	+2~+8	R134a/R600a	75/35	160	1.2	5xGN1/3	1300x395x225	45
VRX1400/330	220-240/50	4	+2~+8	R134a/R600a	80/40	160	1.3	6xGN1/4	1400x335x225	42
VRX1400/380	220-240/50	4	+2~+8	R134a/R600a	80/40	160	1.3	6xGN1/3	1400x395x225	46.5
VRX1500/330	220-240/50	4	+2~+8	R134a/R600a	80/40	160	1.3	7xGN1/4	1500x335x225	47
VRX1500/380	220-240/50	4	+2~+8	R134a/R600a	80/40	160	1.3	5xGN1/3+1xGN1/2	1500x395x225	48
VRX1600/330	220-240/50	4	+2~+8	R134a/R600a	80/40	160	1.3	7xGN1/4	1600x335x225	47
VRX1600/380	220-240/50	4	+2~+8	R134a/R600a	80/40	160	1.3	5xGN1/3+1xGN1/2	1600x395x225	51
VRX1800/330	220-240/50	4	+2~+8	R134a/R600a	90/40	160	1.3	8xGN1/4	1800x335x225	48
VRX1800/380	220-240/50	4	+2~+8	R134a/R600a	90/40	160	1.3	8xGN1/3	1800x395x225	51
VRX1900/330	220-240/50	4	+2~+8	R134a/R600a	90/45	160	1.3	9xGN1/4	1900x335x225	51.5
VRX1900/380	220-240/50	4	+2~+8	R134a/R600a	90/45	160	1.3	7xGN1/3+1xGN1/2	1900x395x225	55.5
VRX2000/330	220-240/50	4	+2~+8	R134a/R600a	95/45	160	1.3	10xGN1/4	2000x335x225	53.5
VRX2000/380	220-240/50	4	+2~+8	R134a/R600a	95/45	160	1.3	9xGN1/3	2000x395x225	57.5
VRX2200/330	220-240/50	4	+2~+8	R134a/R600a	110/50	160	1.3	11xGN1/4	2200x335x225	55
VRX2200/380	220-240/50	4	+2~+8	R134a/R600a	110/50	160	1.3	10xGN1/3	2200x395x225	59
VRX2500/330	220-240/50	4	+2~+8	R134a/R600a	110/50	160	1.3	12xGN1/4	2500x395x225	59
VRX2500/380	220-240/50	4	+2~+8	R134a/R600a	110/50	160	1.3	11xGN1/3	2500x395x225	62
VRX1000/330 LID	220-240/50	4	+2~+8	R134a/R600a	65/30	160	1.2	3xGN1/4	955x335x225	26
VRX1000/380 LID	220-240/50	4	+2~+8	R134a/R600a	65/30	160	1.2	2xGN1/3+1xGN1/2	955x395x225	29
VRX1200/330 LID	220-240/50	4	+2~+8	R134a/R600a	75/35	160	1.2	5xGN1/4	1200x335x225	30
VRX1200/380 LID	220-240/50	4	+2~+8	R134a/R600a	75/35	160	1.2	3xGN1/3+1xGN1/2	1200x395x225	34
VRX1300/330 LID	220-240/50	4	+2~+8	R134a/R600a	75/35	160	1.2	5xGN1/4	1300x335x225	31
VRX1300/380 LID	220-240/50	4	+2~+8	R134a/R600a	75/35	160	1.2	5xGN1/3	1300x395x225	34
VRX1400/330 LID	220-240/50	4	+2~+8	R134a/R600a	80/40	160	1.3	6xGN1/4	1400x335x225	31.5
VRX1400/380 LID	220-240/50	4	+2~+8	R134a/R600a	80/40	160	1.3	6xGN1/3	1400x395x225	36.5
VRX1500/330 LID	220-240/50	4	+2~+8	R134a/R600a	80/40	160	1.3	7xGN1/4	1500x335x225	31.5
VRX1500/380 LID	220-240/50	4	+2~+8	R134a/R600a	80/40	160	1.3	5xGN1/3+1xGN1/2	1500x395x225	37
VRX1600/330 LID	220-240/50	4	+2~+8	R134a/R600a	80/40	160	1.3	7xGN1/4	1600x335x225	36
VRX1600/380 LID	220-240/50	4	+2~+8	R134a/R600a	80/40	160	1.3	5xGN1/3+1xGN1/2	1600x395x225	39
VRX1800/330 LID	220-240/50	4	+2~+8	R134a/R600a	90/40	160	1.3	8xGN1/4	1800x335x225	34
VRX1800/380 LID	220-240/50	4	+2~+8	R134a/R600a	90/40	160	1.3	8xGN1/3	1800x395x225	41
VRX1900/330 LID	220-240/50	4	+2~+8	R134a/R600a	90/45	160	1.3	9xGN1/4	1900x335x225	38
VRX1900/380 LID	220-240/50	4	+2~+8	R134a/R600a	90/45	160	1.3	7xGN1/3+1xGN1/2	1900x395x225	42.5
VRX2000/330 LID	220-240/50	4	+2~+8	R134a/R600a	95/45	160	1.3	10xGN1/4	2000x335x225	40
VRX2000/380 LID	220-240/50	4	+2~+8	R134a/R600a	95/45	160	1.3	9xGN1/3	2000x395x225	43
VRX2200/330 LID	220-240/50	4	+2~+8	R134a/R600a	110/50	160	1.3	11xGN1/4	2200x335x225	40.5
VRX2200/380 LID	220-240/50	4	+2~+8	R134a/R600a	110/50	160	1.3	10xGN1/3	2200x395x225	41
VRX2500/330 LID	220-240/50	4	+2~+8	R134a/R600a	110/50	160	1.3	12xGN1/4	2500x335x225	45
VRX2500/380 LID	220-240/50	4	+2~+8	R134a/R600a	110/50	160	1.3	11xGN1/3	2500x395x225	47



ATTENZIONE: IN CASO DI UTILIZZO DEL REFRIGERANTE INFIAMMABILE R600a SUSSISTE IL PERICOLO DI INCENDIO E DI ESPLOSIONE.



Avvertenze per la tutela dell'ambiente

I dispositivi elettrici vecchi possono contenere sostanze dannose per l'ambiente e quindi non devono essere smaltiti come rifiuti domestici. Siete pertanto pregati di consegnare l'apparecchio esausto presso gli appositi centri di raccolta o presso i centri autorizzati al ritiro al fine di proteggere l'ambiente.

SOLUZIONE DEI PROBLEMI

Qualora l'apparecchio evidenziasse delle anomalie, verificare i seguenti punti:

Difetto	Probable Cause	Soluzione
L'apparecchio non funziona	L'apparecchio non è acceso	Verificare se l'apparecchio è collegato alla presa di rete e se è acceso
	Spina e cavo di alimentazione sono danneggiati	Contattare un centro di assistenza tecnica o un tecnico qualificato
	Un fusibile è bruciato	Sostituire il fusibile (GB)
	Allacciamento alla rete elettrica	Verificare il collegamento alla rete elettrica
	Cablaggio interno difettoso	Contattare un centro di assistenza tecnica o un tecnico qualificato
L'apparecchio si accende, ma la temperatura è troppo elevata/bassa	Troppo ghiaccio sull' evaporatore	Sbrinare l'apparecchio
	Il condensatore è impolverato	Contattare un centro di assistenza tecnica o un tecnico qualificato
	L'apparecchio si trova in prossimità di una fonte di calore oppure il flusso d'aria verso il condensatore si è interrotto	Scegliere un luogo di installazione migliore per l'apparecchio
	La temperatura ambiente è troppo elevata	Provvedere a una migliore ventilazione o scegliere un luogo di installazione più fresco per l'apparecchio
	Nell'apparecchio sono conservati alimenti inadatti	Rimuovere gli alimenti troppo caldi; il ventilatore non deve essere bloccato
	L'apparecchio è sovraccarico	Ridurre la quantità di alimenti conservati
L'apparecchio è inconsuetamente rumoroso	Dadi/viti allentati	Verificare viti e dadi ed eventualmente stringerli
	L'apparecchio non è in posizione piana e stabile	Ispezionare il luogo di installazione e cambiarlo, se necessario

GARANZIA

Il presente apparecchio è coperto dalla garanzia legale per i difetti di conformità ex DL 24/02 e Dlgs 206/2005.

La garanzia decade se il consumatore non denuncia il difetto di conformità entro il termine di due mesi dalla data in cui ha scoperto il difetto.

Il diritto alla garanzia decade in presenza di interventi da parte dell'acquirente o di terzi. I danni causati da un utilizzo improprio, da montaggio, conservazione, da collegamento o installazione non corretti, come anche da cause di forza maggiore non sono coperti dalla garanzia.

Raccomandiamo di leggere attentamente le istruzioni, perché contengono informazioni importanti.

Il consumatore è obbligato a conservare la ricevuta d'acquisto dell'apparecchio e ad esibirla qualora necessiti di ricorrere alla garanzia. La ricevuta di acquisto costituisce prova documentale del diritto alla garanzia dell'apparecchio.

Il diritto alla garanzia è subordinato alla presentazione della prova d'acquisto da parte dell'acquirente.

Si prega di fare attenzione ad allegare all'eventuale apparecchio difettoso, al momento della consegna al Vs. rivenditore, anche i seguenti documenti:

- Ricevuta d'acquisto, tipo, marca
- Descrizione dell'apparecchio oltre alla descrizione quanto più possibile dettagliata del difetto riscontrato.

Per richiedere l'applicazione della garanzia o in caso di guasto, rivolgersi personalmente al proprio negozio di fiducia.